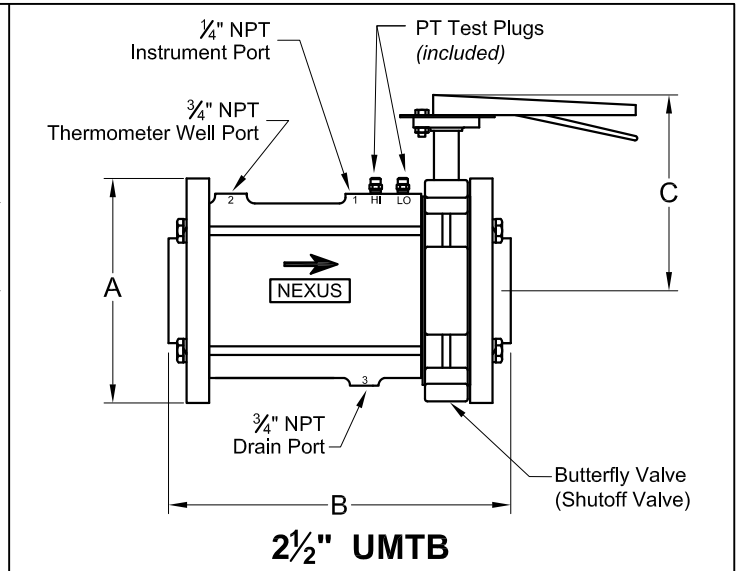
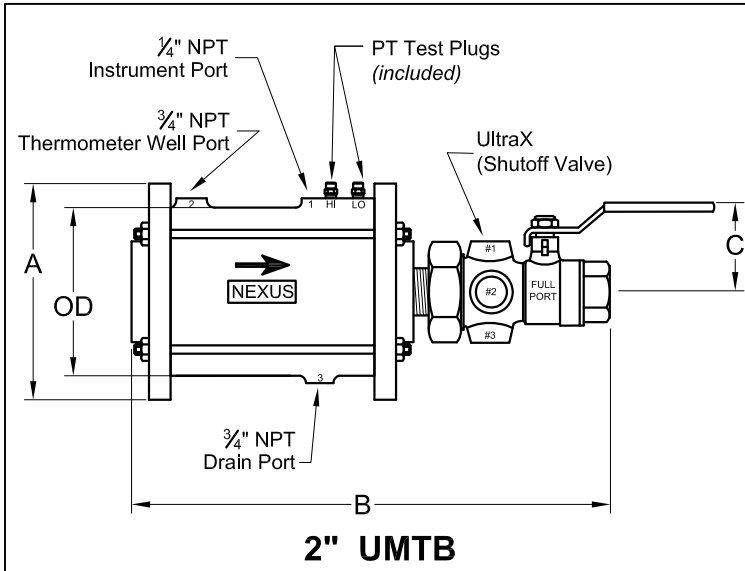




UltraMatic™ Model UMTB

Automatic Flow Control Valve
Threaded Ends w/Shutoff Valve
(2" and 2½")



DIMENSIONS [inches]										
SIZE [inches]	LO	STD	HI	EX HI	A	B		C	OD	WT. [lbs] (Cartridges not included)
						BV	Ball Valve			
2 w/ sm. body	✓	✓	-	-	7.0	-	18.0	3.3	4.7	38.7
2 w/ lg. body	-	-	✓	✓	7.5	-	20.0	3.3	5.0	46.5
2½ w/ sm. body	✓	✓	-	-	7.0	11.6	-	8.2	4.7	45.9
2½ w/ lg. body	-	-	✓	✓	7.5	13.8	-	8.4	5.0	54.0

FLOW RATES Control Range [PSID]				
SIZE [inches]	LO (2-45)	STD (5-50) for sm. body STD (2-45) for lg. body	HI (2-45)	EX HI (4-70)
	(± 5.0%, 5 GPM increments)			
2	25 - 70	75 - 100	105 - 165	140, 160, 180, 200, 220, 240
2½	25 - 70	75 - 100	105 - 165	140, 160, 180, 200, 220, 240

MATERIALS & DESIGN DATA	
ULTRAMATIC BODYEPOXY COATED DUCTILE IRON, ASTM A536, 400 PSIG, 350°F BRASS PLUGS ARE FURNISHED FOR ANY UNUSED PORTS
FLOW CARTRIDGE304 STAINLESS STEEL MOVING PARTS IN BRASS HOUSING, PAT # 8517051
CARTRIDGE SEALEPDM
SHUTOFF VALVE, 2"UltraX; BALL VALVE, HOT FORGED BRASS, ASTM B283, 600 WOG, 325°F, DUAL FKM SHAFT SEALS, FKM O'RINGS
SHUTOFF VALVE, 2½"BUTTERFLY VALVE, LUG TYPE, EPOXY COATED CAST IRON, ASTM A126, CLASS B, 225 PSIG, 250°F, 304 STAINLESS STEEL DISK, 416 STAINLESS STEEL SHAFT
BOLTSZINC PLATED STEEL
THRD. ADAPTERSDUCTILE IRON, ASTM A395, 175 PSIG, 250°F, STANDARD 125# CLASS B FLANGES
ACCURACY±5%

ACCESSORIES	
Order Code	Part No. Description
<input type="checkbox"/> A AV-025. AUTOMATIC AIR VENT 250°F, 150 PSIG, positive shut-off, ¼" MNPT
<input type="checkbox"/> B BD-075. BLOWDOWN / VENT / DRAIN 325°F, 600 PSIG, ¾" hose bib & cap
<input type="checkbox"/> E ES-3. EXTENDED HANDLE Stationary housing, for full-height vapor barrier (2" only)
<input type="checkbox"/> H HT. HANGING TAG with Model No., Location, Flow Rate (Maximum 7 Characters)
<input type="checkbox"/> V MV-025. MANUAL AIR VENT 325°F, 400 PSIG, ¼" MNPT, Side Discharge
<input type="checkbox"/> W TW-075. THERMOMETER WELL ¾" MNPT, brass, 1½" well, 3½" O.A.L.
<input type="checkbox"/> X MV-025L. MANUAL AIR VENT EXTENDED 325°F, 400 PSIG, ¼" MNPT, Side Discharge, 2¼" O.A.L. PTE. PRES / TEMP TEST PLUG EXTENSION 1⅞" O.A.L.

PROJECT _____

CONTRACTOR _____

PO/JOB NO. _____

ENGINEER _____

REPRESENTATIVE _____

DATE _____

For part numbers and ordering information please consult the "Ordering Guide" section in Nexus Catalog.