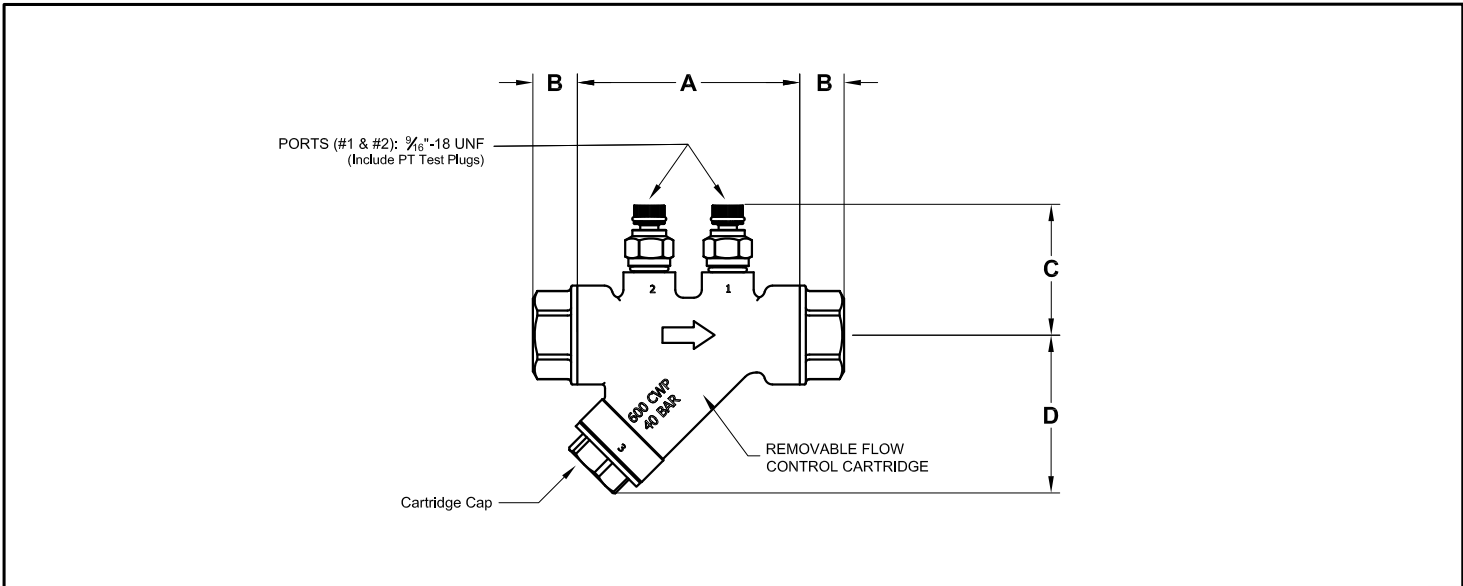




UltraMatic™ Model UMNL

Lead Free Automatic Flow Control Valve

(½", ¾", 1")



DIMENSIONS [inches]

SIZE [inches]	LO	STD	Valve Body Size	A	B		C	D	WT ² [lbs] (Fixed Ends not included)	Cv ¹
					F (NPT)	S (SWT)				
½	✓		1	3.02	0.62	0.83	1.93	1.55	0.80	9.0
¾		✓	2	3.55	0.71	0.98	2.06	2.44	1.31	14.0
1	✓		2	3.55	0.91	1.08	2.06	2.44	1.31	14.0

¹ Cv based on valve body only; ² Cartridge, Spring, PT's, and Cap included

FLOW RATE SELECTIONS

SIZE [inches]	PSID (range)	GPM (± 5.0%)
½ LO	2 - 45	0.5, 1.0, 1.5, 2.0, 2.5, 3.0, 4.0, 5.0, 6.0
¾ STD, 1 LO	2 - 45	0.5, 1.0, 1.5, 2.0, 2.5, 3.0, 4.0, 5.0, 6.0, 7.0

ORDER DATA

Sample Part #:

UMNL1-050F-050F-0.50-XH

Model

Size & Type - 1st FE

Size & Type - 2nd FE

Flow Rate (GPM)

Option Order Codes

MATERIALS & DESIGN DATA

BODY, CAPLEAD FREE DZR BRASS, 600 CWP, 325°F
FIXED ENDSLEAD FREE DZR BRASS
PLUGLEAD FREE BRASS
CAP SEALFKM O-RING
FLOW CARTRIDGE304 STAINLESS STEEL AND COMPOSITE MOVING PARTS IN COMPOSITE HOUSING, REMOVABLE,
CARTRIDGE SEALEPDM
ACCURACY±5%



UltraUM™ Model UMNL is tested and certified to NSF/ANSI/CAN 61 & 372 for Lead Free compliance.

ACCESSORIES

	Order Code	Part No.	Description
<input type="checkbox"/>	H	HT.	HANGING TAG with Model No., Location, Flow Rate (Maximum 7 Characters)
<input type="checkbox"/>	X	PTE.	PRES / TEMP TEST PLUG EXTENSION 1⅛" O.A.L.

PROJECT _____

CONTRACTOR _____

PO/JOB NO. _____

ENGINEER _____

REPRESENTATIVE _____

DATE _____

Please consult the "Ordering Guide" section in Nexus Valve Catalog for complete part number and ordering information.