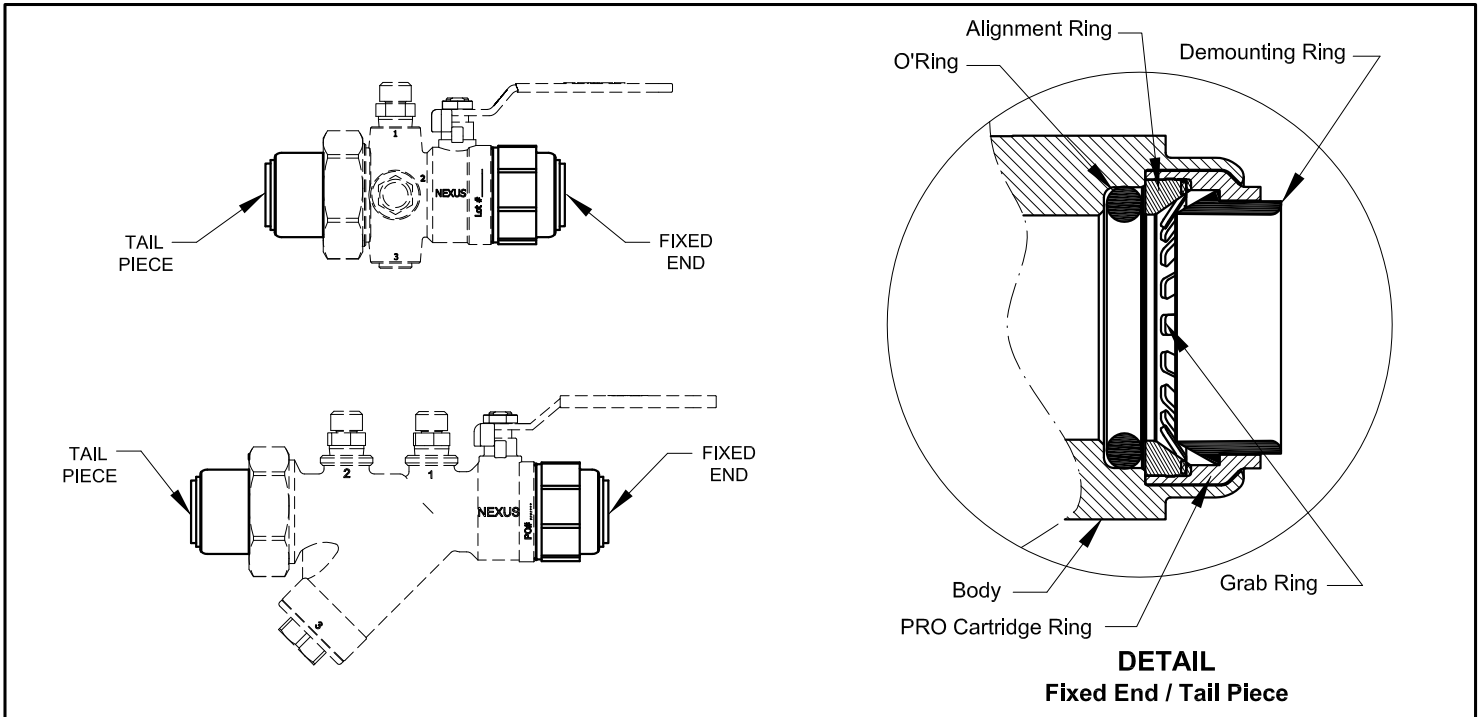




NexLok™ Connection System

(½" thru 1")



DESCRIPTION, APPLICATIONS

Description:

- NexLok™ connection system offers the commercial installer a toolless install that is quick, convenient, and secure.
- NexLok™ employs commercial grade components which increase its pressure rating by 25% over similar products.

Applications:

- K, L, and M hard and soft tubing.
- All copper tubing to comply with ASTM B88 standards.
- PEX applications with PEX insertion sleeve PEX tubing complying to ASTM F 876 or CSA B137.5
- CPVC-CTS tubing complying to ASTM D 2846 or CSA B137.6
- NexLok™ connections are approved for ABOVE ground applications only.

Approved Applications:

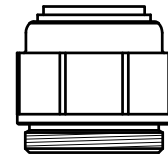
- Hydronic Heating
- Chilled Water (w/ Glycol)

MATERIALS & DESIGN DATA

FITTING BODY:HOT FORGED BRASS ASTM B283, 600 WOG, 325°F
PRO CARTRIDGE RING:HOT FORGED BRASS ASTM B283, 600 WOG, 325°F
O-RING:PRE-LUBRICATED EPDM
DEMOUNTING RING:ACETAL RESIN, BLACK
GRAB RING:STAINLESS STEEL
ALIGNMENT RING :NYLON 6%, BLACK
SIZES:½" thru 1"
TEMPERATURE:32°F - 200°F
PRESSURE:250 PSI
NexLok™ FITTING:COMPLIANT to ASSE 1061-2011



TAIL PIECES



FIXED ENDS

BENEFITS

- Connects to Copper or PEX
- No special tools required
- Saves Time
- Demountable
- No Flame - Solder Free
- Reusable
- Easy to install in tight spaces
- Environmentally Friendly

NOTE: PEX Tubing requires included support ring

PROJECT _____

CONTRACTOR _____

PO/JOB NO. _____

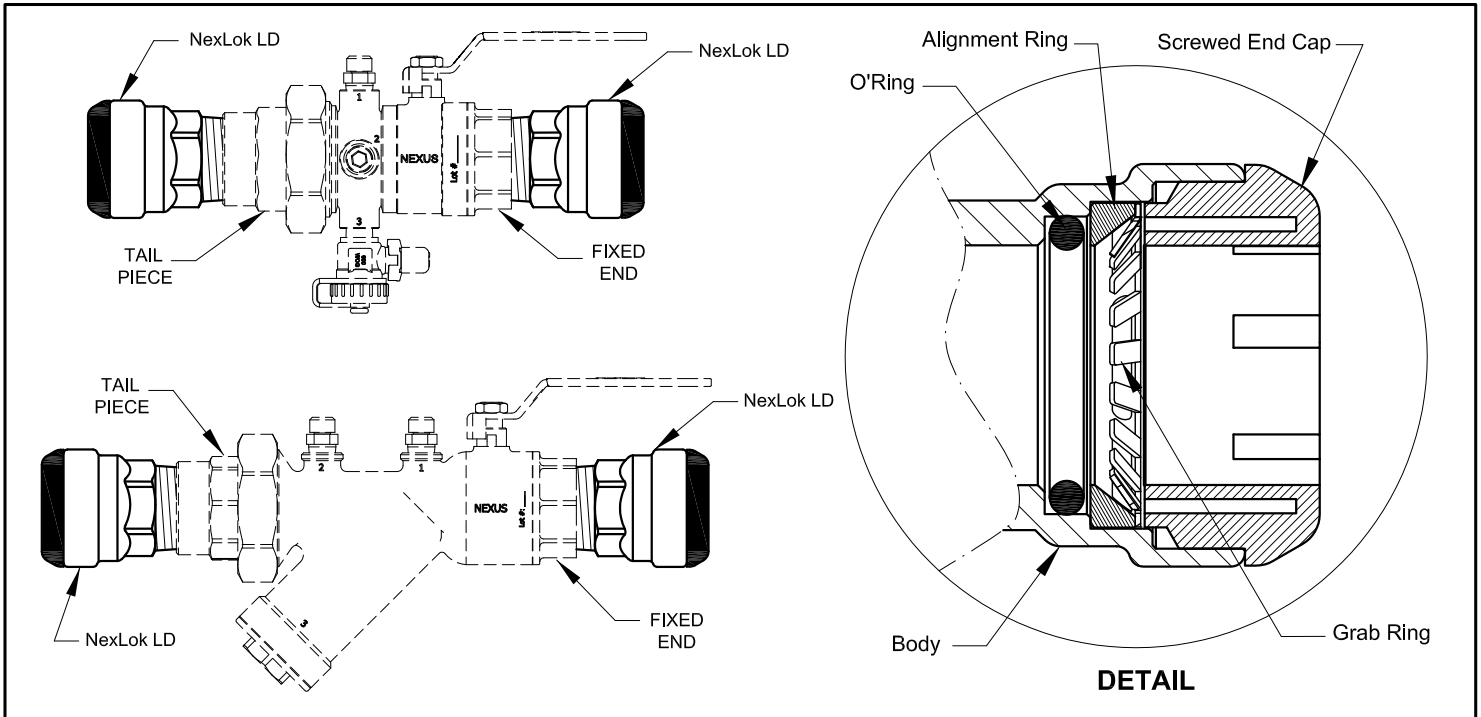
ENGINEER _____

REPRESENTATIVE _____

DATE _____

NexLok™ LD Connection System

(1/4" thru 2")



DESCRIPTION, APPLICATIONS

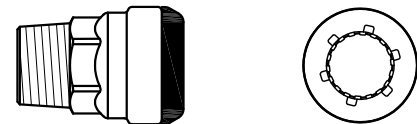
Description: - NexLok™ connection system offers the commercial installer a toolless install that is quick, convenient, and secure.

- Applications:**
- K, L, and M hard and soft tubing.
 - All copper tubing to comply with ASTM B88 standards.
 - PEX applications with PEX insertion sleeve PEX tubing complying to ASTM F 876 or CSA B137.5
 - CPVC-CTS tubing complying to ASTM D 2846 or CSA B137.6
 - NexLok™ connections are approved for ABOVE ground applications only.

- Approved Applications:**
- Hydronic Heating
 - Chilled Water (w/ Glycol)

MATERIALS & DESIGN DATA

FITTING BODYHOT FORGED BRASS ASTM B283, 600 WOG, 325°F
O-RINGPRE-LUBRICATED EPDM
SCREWED END CAPACETAL RESIN, BLACK
GRAB RINGSTAINLESS STEEL
ALIGNMENT RING:NYLON 6/6, BLACK
SIZES1/4" thru 2"
TEMPERATURE32°F - 200°F
PRESSURE200 PSI
NexLok™ FITTINGCOMPLIANT to ASSE 1061-2011



BENEFITS

- Connects to Copper or PEX
- No special tools required
- Saves Time
- Demountable
- No Flame - Solder Free
- Reusable
- Easy to install in tight spaces
- Environmentally Friendly

NOTE: PEX Tubing requires included support ring

PROJECT _____

CONTRACTOR _____

PO/JOB NO. _____

ENGINEER _____

REPRESENTATIVE _____

DATE _____