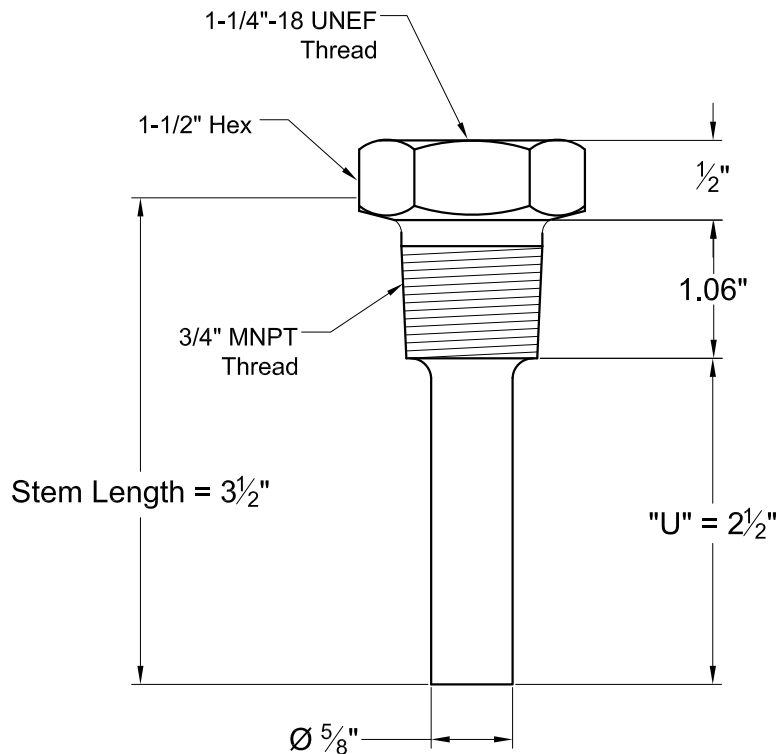


# Thermometer Well Model TW-075



## DESCRIPTION & APPLICATIONS

A THERMOMETER WELL IS A PRESSURE TIGHT RECEPTACLE, DESIGNED TO ACCEPT A TEMPERATURE SENSING ELEMENT, AND PROVIDE A MEANS TO INSERT THAT ELEMENT INTO A VESSEL OR PIPE.

## MATERIALS & DESIGN DATA

BODY .....BRASS  
 PRESSURE / TEMP RATING .....300 PSI / 150°F  
 250 PSI / 350°F

LENGTH "U" = 2 1/2" INDICATES THE INSERTION DEPTH INTO A PROCESS VESSEL OR PIPING SYSTEM

"U" MUST BE EQUAL OR EXCEED THE LENGTH OF THE SENSITIVE PORTION OF THE TEMPERATURE INSTRUMENT'S STEM OR BULB.

## PRINCIPLES OF OPERATION

- A THERMOWELL ACTS AS A BARRIER BETWEEN A PROCESS MEDIUM AND THE SENSING ELEMENT OF A TEMPERATURE MEASURING DEVICE.
- IT PROTECTS AGAINST CORROSIVE MEDIA, MEDIA CONTAINED UNDER PRESSURE, OR MEDIA FLOWING AT A HIGH VELOCITY.
- A THERMOWELL ALSO ALLOWS THE SENSING ELEMENT TO BE REMOVED FROM THE APPLICATION WHILE MAINTAINING A CLOSED SYSTEM.

PROJECT \_\_\_\_\_

CONTRACTOR \_\_\_\_\_

PO/JOB NO. \_\_\_\_\_

ENGINEER \_\_\_\_\_

REPRESENTATIVE \_\_\_\_\_

DATE \_\_\_\_\_