

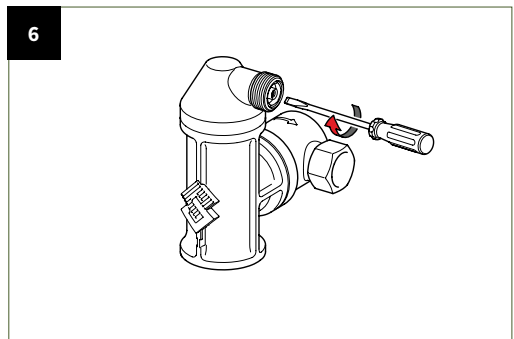
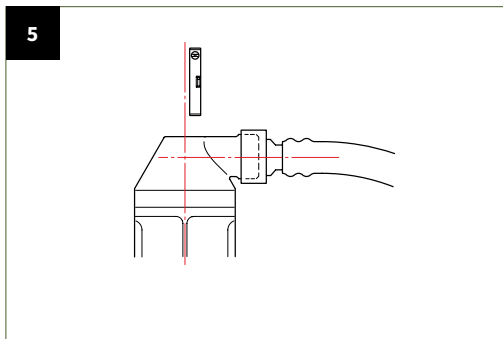
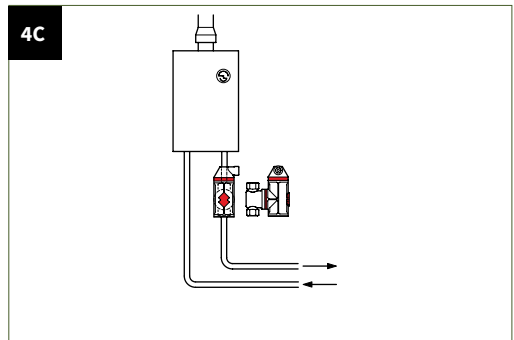
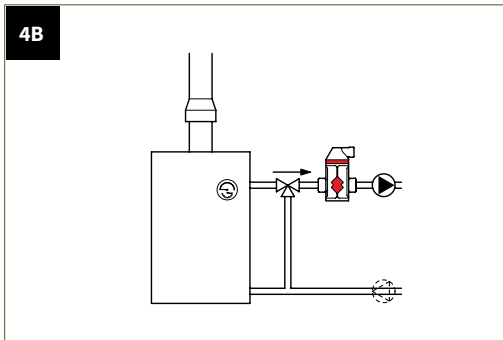
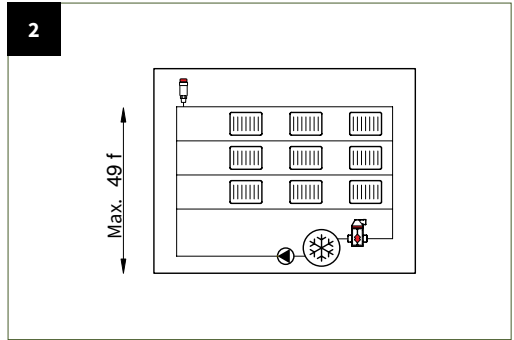
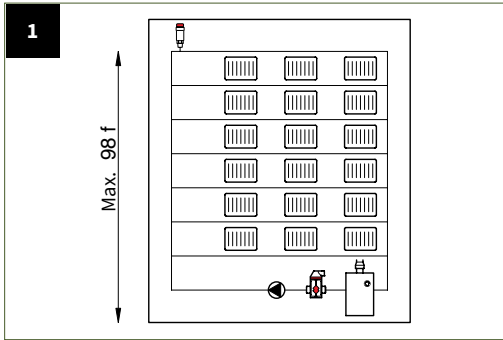
Flamcovent Smart



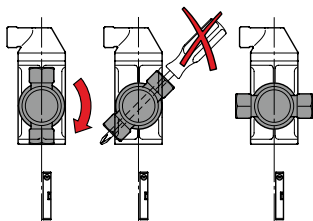


NEXUS

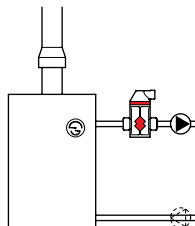
Flow of Innovation



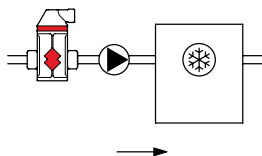
3



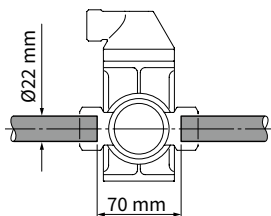
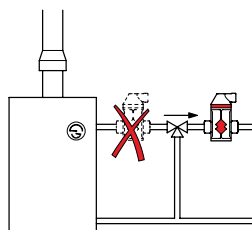
4A



4D



4E



1. General

The Flamcovent Smart air separator is intended for heating and cooling systems with a water or water-glycol mix (maximum 50%).

The Flamcovent Smart may be hot during operation.

Minimum and maximum system temperature:

14 °F to 248 °F

Minimum and maximum system pressure:

145 PSI

Minimum and maximum operating pressure:

145 PSI

Maximum velocity rate:

9.8 f/s

Maximum static height above Flamcovent Smart:

Central heating:

98 feet (fig.1)

Cooling system:

49 feet (fig. 2)



Safety requirements

Installation and maintenance must be carried out by qualified personnel.

Observe local regulations and guidelines.

2. Installation

Do not install the product above a suspended ceiling or in the vicinity of electronic installations!

Install the Flamcovent Smart in a dry location not susceptible to frost and which is easily accessible for maintenance purposes.

Install the Flamcovent Smart in the warmest point of the installation for optimum efficiency. Flush the installation thoroughly installing the Flamcovent Smart.

For optimum efficiency, the connection diameter of the Flamcovent Smart must correspond to the pipe diameter of the installation. The use of reducing couplings is not recommended. Installation is possible in horizontal, vertical and inclined pipes; always position the housing vertically (bleed cap at top) (fig. 3).

Install the Flamcovent Smart in the direction of flow in accordance with the arrow shown on the connection housing. In a central heating system, the Flamcovent Smart should be positioned immediately after the boiler or mixer valve in the supply line. In a cooling system, just before the chiller (fig. 4A, 4B, 4C, 4D).

The bleeding device is fitted with a 3/4" connection for possible connection of a drain (fig. 5). Do not use this connection for filling the system.



3. Inspection and maintenance

Perform regular visual inspections.

In the unlikely event of a leak from the air release port it may be closed with the screw (fig. 6).

Only carry out maintenance when the system has cooled down, remembering to take account of the pressure.



4. Removal

Depressurise the system and remove the Flamcovent Smart.

Observe local regulations for disposing of the Flamcovent Smart.

