



# NEXUS

Flow of Innovation

# Flexvent

## Top

### Automatic Air Vent

The compact and proven design is reliable and highly efficient at removing air from hydronic heating and cooling systems.

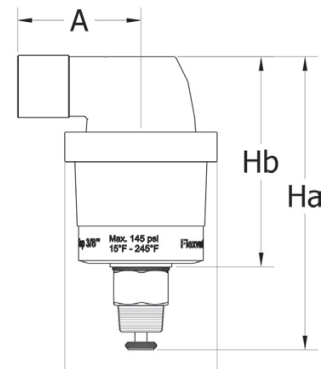
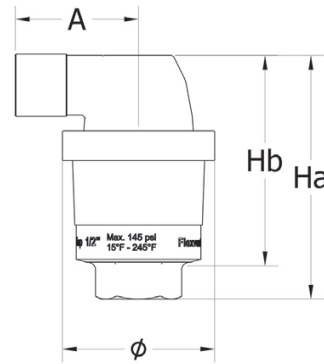
The water in a hydronic system contains air which can cause corrosion and reduce the thermal transfer. A Flexvent is installed at places where air collects. Float operated, the air is collected in the Flexvent causing the float to drop and open the air release valve. When the air is eliminated the float will rise and close the valve.

The cap of the Flexvent Top is conical in shape maximizing the clearance between the water level and venting valve. The venting valve forms an integral part of the cap, so that it is impossible to damage the float vent mechanism from the outside. The large air cushion at the top of each Flexvent Top protects the valve seat against contamination, ensuring that the Flexvent will not leak. The air escape tube can be opened or closed with an adjustment screw.



### Features:

- Large air cushion prevents leaks and contamination
- Temperature range from 15°F to 245°F
- Max. operating pressure 145 PSI
- CW617N-DZR Brass
- Water/Glycol mixture 50%
- Compact design for confined space installation
- Can be equipped with shut-off valve for easy assembly and dismantling



Type	Connection	Dimensions (inches)				Shut-Off Valve	Bubble Breaker	Part No.
		Ø	A	Ha	Hb			
Flexvent Top	1/2" FNPT	2.1	1.7	3.4	2.9	NO	NO	F28518
Flexvent Top White	3/8" MNPT	2.1	1.7	4.2	2.9	YES	NO	F28511