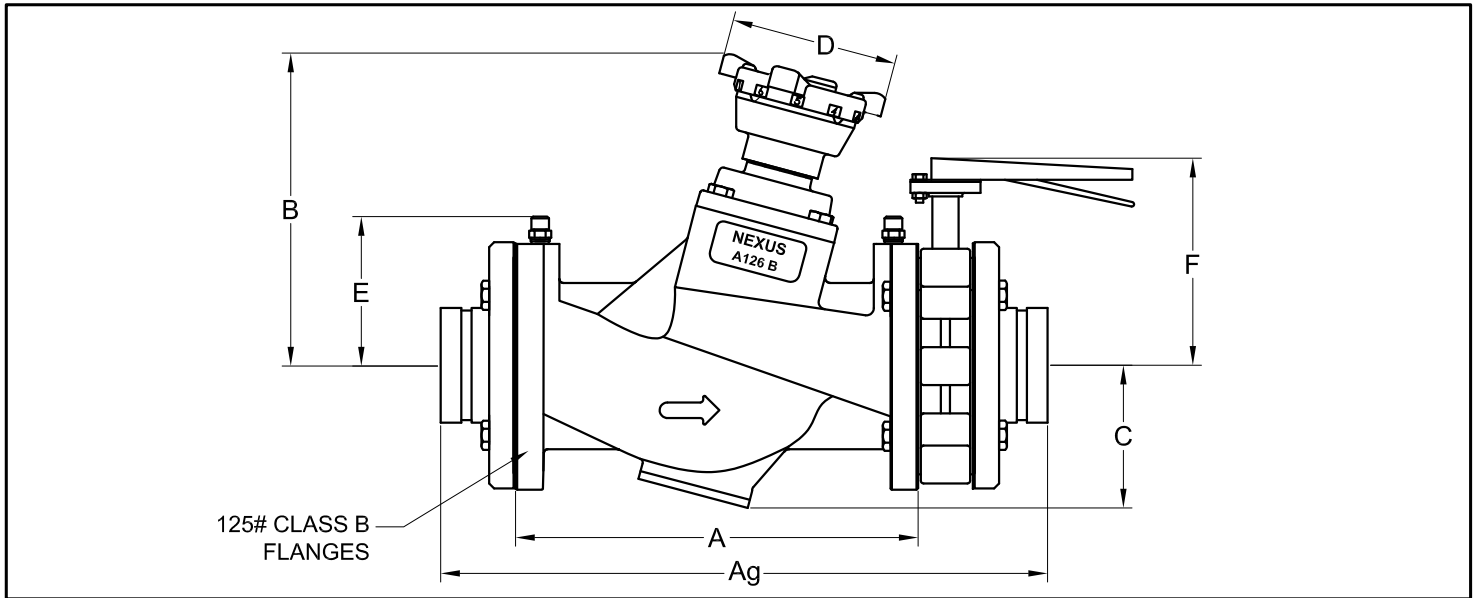




UltraMB™ Model MBGV

Manual Flow Control Valve

(2½" thru 6")



DIMENSIONS [inches]										
SIZE [inches]	A	Ag	B	C	D	E	F	WT. [lbs]		
								MBF	Butterfly Valve	FGA ¹
2½	11.38	17.84	9.06	3.90	5.12	4.65	8.3	38.9	12.9	15.5
3	12.25	18.83	9.53	4.25	5.12	5.00	8.4	43.3	13.1	18.5
4	14.00	21.38	11.02	4.88	5.12	5.25	9.2	63.4	19.0	29.0
5	15.50	23.46	15.35	5.83	7.87	6.58	9.5	83.2	23.0	33.0
6	19.00	26.80	16.34	6.77	7.87	7.52	10.2/11.6	146.7	29.0	42.0

¹ Weight of 2 Grooved Adapters with hardware

MATERIALS & DESIGN DATA	
BODYCAST IRON, ASTM A126, CLASS B, 175 PSIG, 250°F, STANDARD 125# CLASS B FLANGES
LIMITING SCREWBRASS, ASTM B16 C36000
STEM STOPPERBRASS, ASTM B16 C36000
RETAINING RINGBRASS, ASTM B16 C36000
SPRINGSTAINLESS STEEL 302
O-RINGSEPDM
HANDWHEELPOLYAMIDE (2½", 3", 4")STEEL, EPOXY COATED (5", 6")
POSITION INDICATORPOLYAMIDE
SEALEPDM
SCREWSSTAINLESS STEEL A2
GLOBERYTON (PPS, Polyphenylene Sulfide)
BUTTERFLY VALVEEPOXY COATED CAST IRON, ASTM A126, CLASS B, LUG TYPE BUTTERFLY VALVE, 225 PSIG, 250°F, 304 STAINLESS STEEL DISK, 416 STAINLESS STEEL SHAFT
BOLTSZINC PLATED STEEL
GROOVED ADAPTERSDUCTILE IRON, ASTM A 395, 175 PSIG, 250°F, STANDARD 125# CLASS B FLANGES
ACCURACY±5%

FLOW RATE RECOMMENDATION GUIDE			
SIZE [inches]	IDEAL FLOW RANGES [GPM]		Handwheel Turns
	Min.	Max.	Max. (functional)
2½	4	150	4
3	4	200	6
4	8	300	6
5	5	500	12
6	20	1000	15

BASIC INSTALLATION NOTES

- CAN BE ROTATED ±90° IN-LINE (HANDWHEEL ON TOP POSITION)
- CAN BE MOUNTED HORIZONTALLY OR VERTICALLY
- REQUIRES A MINIMUM OF 5 STRAIGHT PIPE DIAMETERS UPSTREAM
- REQUIRES A MINIMUM OF 2 STRAIGHT PIPE DIAMETERS DOWNSTREAM
- 125# CLASS B FLANGES ALSO MATE TO 150# FLANGES
- MBGV SHIPS WITH BUTTERFLY VALVE INSTALLED HAND TIGHT
- BUTTERFLY VALVE MAY BE ROTATED 90° FOR PT PORT ACCESS

ACCESSORIES		
Order Code	Part No.	Description
<input type="checkbox"/>	GB BV-0600GB. GEARBOX WITH HAND WHEEL (for 6" only)
<input type="checkbox"/>	H HT. HANGING TAG with Model No., Location (Maximum 7 Characters)
<input type="checkbox"/>	X PTE. PRES / TEMP TEST PLUG EXTENSION 1¼" O.A.L.

ORDER DATA										
Sample Part #: MBGV-0400-										
Model	M	B	G	V	-	0	4	0	0	-
Size										
Option Order Code (HT)										
Option Order code (GB)										
Option order code (PTE)										

For part numbers and ordering information please consult the "Ordering Guide" section in Nexus Catalog.

PROJECT _____

CONTRACTOR _____

PO/JOB NO. _____

ENGINEER _____

REPRESENTATIVE _____

DATE _____