

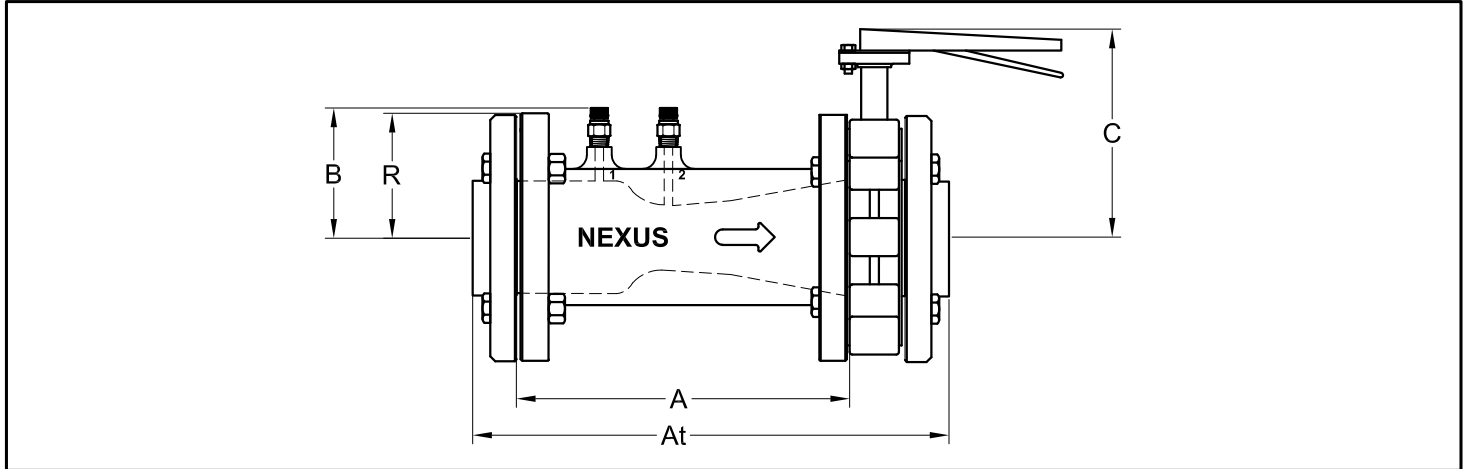


# NEXUS

## Nexus Venturi™ Model NVTB

Threaded End Venturi Flow Meter w/ Butterfly Valve

(2½")



DIMENSIONS [inches]									
SIZE [inches]	A	At	B	R (Flange)	C	Cv	WT. [lbs]		
							NVF	BV	FTA <sup>1</sup>
2½	5.65	9.70	3.75	3.50	8.3	43	18.0	11.5	15.5

<sup>1</sup> Weight of 2 Threaded Adapters with hardware

FLOW RATE RECOMMENDATION GUIDE		
SIZE [inches]	IDEAL FLOW RANGES [GPM]	
	Min. Flow (@ 10 Inch WC)	Max. Flow (@ 100 Inch WC)
2½	26.0	82.0

**BASIC INSTALLATION NOTES**

- MUST BE INSTALLED IN THE INDICATED FLOW DIRECTION
- CAN BE ROTATED 360° AROUND PIPE AXIS FOR INSTALLATION
- REQUIRES A MINIMUM OF 5 STRAIGHT PIPE DIAMETERS UPSTREAM
- NO STRAIGHT PIPE DIAMETERS ARE REQUIRED DOWNSTREAM
- ALLOW A MINIMUM OF 10 STRAIGHT PIPE DIAMETERS AFTER A PUMP DISCHARGE
- 150# CLASS B FLANGES ALSO MATE TO 125# FLANGES
- NVTB SHIPS WITH BUTTERFLY VALVE INSTALLED HAND TIGHT

**ORDER DATA**

Sample Part #: 

N	V	T	B	-	0	4	0	0	-				
---	---	---	---	---	---	---	---	---	---	--	--	--	--

Model \_\_\_\_\_  
 Size \_\_\_\_\_  
 Option Order Code (PTE) \_\_\_\_\_  
 Option Order code (HT) \_\_\_\_\_

MATERIALS & DESIGN DATA	
VENTURI BODY (PIPE)	.....P235GH - PRESSURE VESSEL STEEL, (EQUIVALENT TO ST 35), 230 PSI, -4°F to 250°F STANDARD 150# CLASS B FLANGES (MATES TO 125# FLANGES ALSO)
VENTURI INSERT	.....P235T1 - CARBON STEEL (EQUIVALENT TO ST 37)
FLANGES	.....S235JR - CARBON STEEL, ASME B16.5, STANDARD 150# CLASS B
BUTTERFLY VALVE	.....EPOXY COATED CAST IRON, ASTM A126, CLASS B, LUG TYPE BUTTERFLY VALVE, 225 PSIG, 250°F, 304 STAINLESS STEEL DISK, 416 STAINLESS STEEL SHAFT, ON-OFF w/ HANDLE
BOLTS	.....ZINC PLATED STEEL
THREADED ADAPTERS	.....DUCTILE IRON, ASTM A 395, 175 PSIG, 250°F, STANDARD 125# CLASS B FLANGES
ACCURACY	.....±3%

**ACCESSORIES**

Order Code	Part No.	Description
<input type="checkbox"/>	H	.... HT. HANGING TAG with Model No., Location (Maximum 7 Characters)
<input type="checkbox"/>	X	.... PTE. PRES / TEMP TEST PLUG EXTENSION 1½" O.A.L.

PROJECT \_\_\_\_\_

CONTRACTOR \_\_\_\_\_

PO/JOB NO. \_\_\_\_\_

ENGINEER \_\_\_\_\_

REPRESENTATIVE \_\_\_\_\_

DATE \_\_\_\_\_