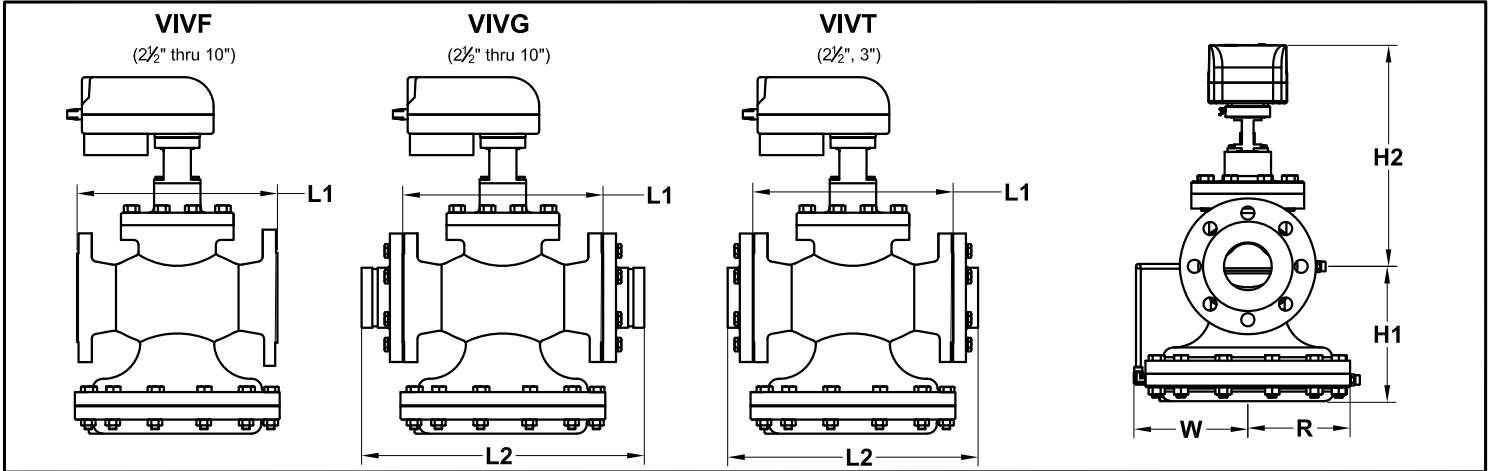




# Vivax™ Model VIVF, VIVG, VIVT

Pressure Independent Control Valve

(2½" thru 10")



DIMENSIONS [inches]								
SIZE [inches]	Model VIVF / VIVG				L1	L2	WT [lbs]	
	H1	H2	W	R			Body only	FGA (2x)
2½L	7.52	11.46	6.34	6.06	10.00	14.66	77.2	13.50
2½H	7.20	11.81	6.10	5.47	10.71	15.37	99.2	13.50
3S	7.20	11.81	6.10	5.47	10.71	15.49	167.6	16.20
4S	10.24	12.60	8.54	8.31	14.09	19.37	209.4	27.00
5L	10.39	13.66	8.39	7.80	15.75	21.13	220.5	32.28
5H	10.39	13.66	8.39	7.80	15.75	21.13	220.5	32.28
6L	10.39	13.66	8.39	7.80	15.75	21.35	330.7	39.60
6H	13.70	15.63	8.39	7.80	17.76	23.36	619.5	39.60
8L	15.47	17.36	-	6.89	21.38	27.62	619.5	63.00
8H	15.47	17.36	-	6.89	21.38	27.62	619.5	63.00
10L	16.57	20.08	-	8.86	28.74	35.42	793.7	87.70
10H	16.57	20.08	-	8.86	28.74	35.42	793.7	87.70

SIZE [inches]	Model VIVT					WT [lbs]		
	H1	H2	W	R	L1	L2	Body	FTA (2x)
2½L	7.52	11.46	6.34	6.06	10.00	12.25	77.2	11.70
2½H	7.20	11.81	6.10	5.47	10.71	12.96	99.2	11.70
3S	7.20	11.81	6.10	5.47	10.71	13.09	167.6	15.26

FLOW RATE SELECTIONS					
SIZE [inches]	Nexus P/N Vivax	PSID (range)	GPM (± 5.0%)		
			Min.	Max.	
2½L	VIV-0250L	4.35 - 58.00	13	88	
2½H	VIV-0250H		22	132	
3S	VIV-0300S		22	132	
4S	VIV-0400S		66	242	
5L	VIV-0500L		66	396	
5H	VIV-0500H	8.70 - 58.00	66	528	
6L	VIV-0600L	4.35 - 58.00	66	396	
6H	VIV-0600H	8.70 - 58.00	66	660	
8L	VIV-0800L	4.35 - 58.00	220	881	
8H	VIV-0800H	8.70 - 58.00	440	1,321	
10L	VIV-1000L	4.35 - 58.00	440	1,321	
10H	VIV-1000H	8.70 - 58.00	660	2,201	

ORDER DATA			
Sample Part #:			
V	I	V	F
-	0	2	5
0	L	-	
Model		Size & Connection	

MATERIALS & DESIGN DATA	
BODY	.....DUCTILE IRON: EN-GJS-450
END CONNECTION	.....ANSI 150# FLANGED, GROOVED, & THREADED
DISC	.....BRONZE DIN 17656 GB-CuSn5ZnPb
DIAPHRAGM	.....EPDM
FLUID	.....HOT/COLD WATER
SET PRESSURE	.....232 PSI
CLOSE OFF PRESSURE	.....348 PSI
TEMP (FLUID)	.....41°F - 248°F
TEMP (SURROUNDING)	.....-4°F - 140°F
LEAKAGE RATING	.....0% up to 348 PSI
ACCURACY	.....±5%

ACTUATORS (24 VAC/DC)	
OPERATING TIME	.....60 to 330 Sec. (full open to full close)
CONTROL INPUT	.....0 to 10 VDC, 2 to 10 VDC (voltage input) 0 to 20 mA, 4 to 20 mA (current input) 24 V: open, 0 V: close (on/off input) P3 24 V: open, P4 24 V: close (3-Point-Floating input) 0.1 to 5.0 Sec., 0.1 to 25 Sec. (PWM Control)
FEED BACK	.....0 to 10 V, 2 to 10 V, 0 to 20 mA, 4 to 20 mA
COVER MATERIAL	.....Plastic
POWER	.....24 V DC 50/60 Hz
APPROVAL	.....UL, CE, cULus

ACCESSORIES		
Order Code	Part No.	Description
J	.....	FAIL SAFE BATTERY PACK DIA ¾", 2¼" OAL, 0.1 Lbs, 3.6V, (-4 to 122)°F
X	.....	PTE. PRES / TEMP TEST PLUG EXTENSION 1¼" O.A.L.

PROJECT \_\_\_\_\_

CONTRACTOR \_\_\_\_\_

PO/JOB NO. \_\_\_\_\_

ENGINEER \_\_\_\_\_

REPRESENTATIVE \_\_\_\_\_

DATE \_\_\_\_\_