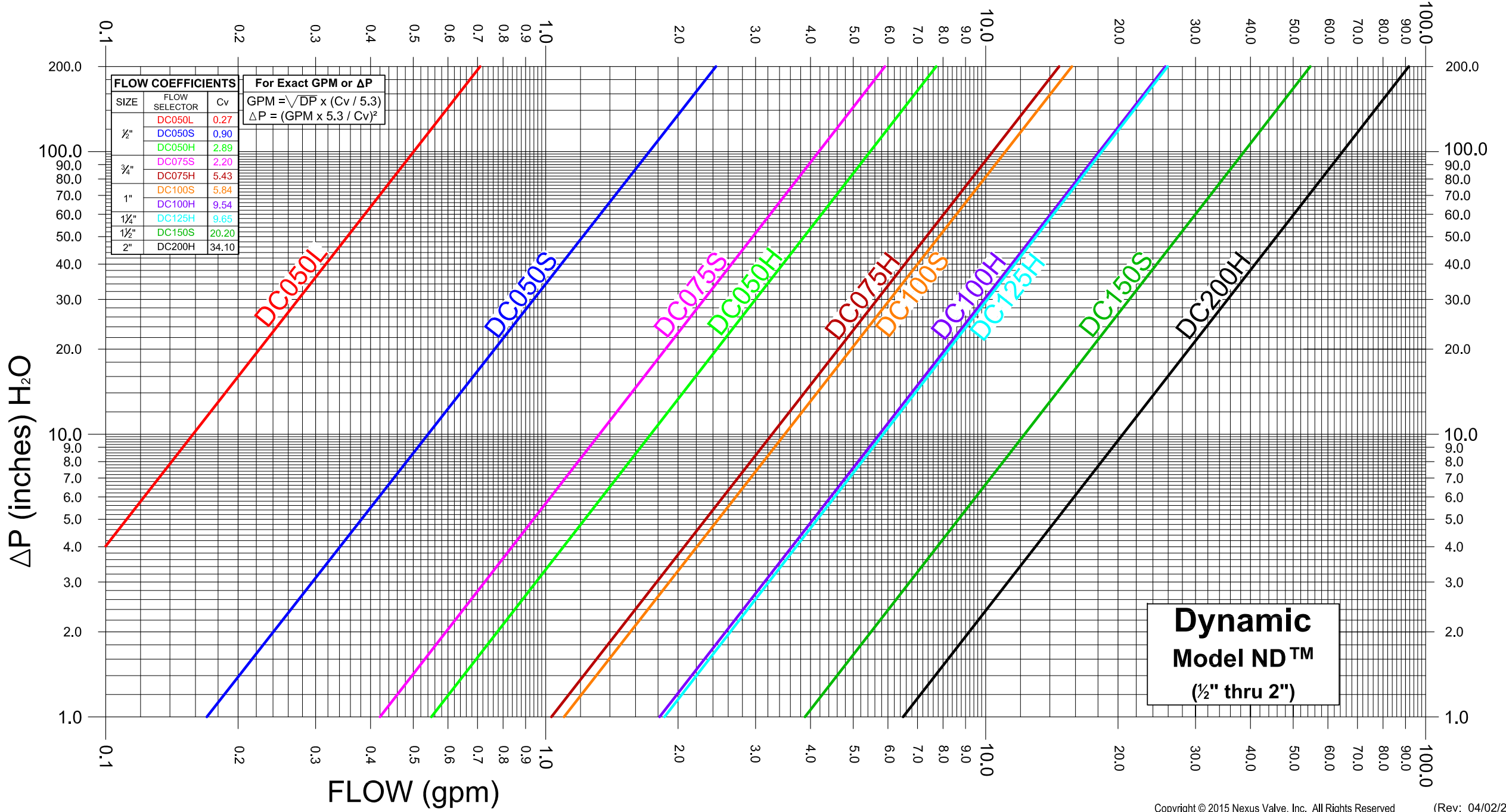


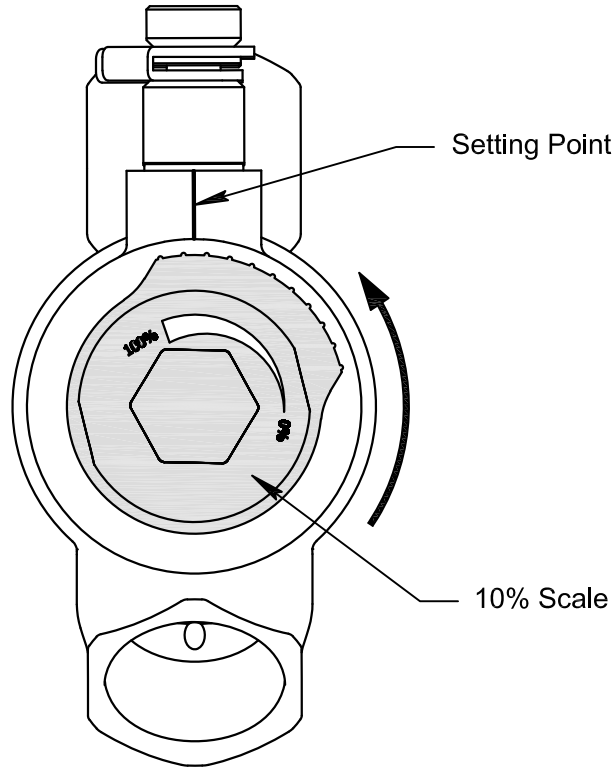


# Nexus Dynamic Model ND™ Flow Chart (½" thru 2")



**Dynamic  
Model ND™  
(½" thru 2")**

## Dynamic™ Valve with Pre-Setting tool mounted



		GPM									
		DC050L	DC050S	DC050H	DC075S	DC075H	DC100S	DC100H	DC125H	DC150S	DC200H
<b>Pre-Set Knob Setting</b>	100%	0.52	1.98	-	3.88	9.78	10.30	14.66	19.57	33.68	-
	95%	0.52	1.97	-	3.81	9.64	10.14	14.46	19.51	33.41	-
	90%	0.51	1.95	-	3.74	9.51	9.99	14.27	19.02	33.13	-
	85%	0.50	1.93	-	3.61	9.19	9.59	13.87	18.70	32.73	51.52
	80%	0.49	1.92	6.18	3.49	8.88	9.19	13.47	18.39	32.34	51.52
	75%	0.48	1.90	5.98	3.31	8.56	8.76	13.08	18.07	32.12	49.34
	70%	0.48	1.89	5.79	3.14	8.24	8.32	12.68	17.75	31.90	47.16
	65%	0.47	1.85	5.55	3.01	7.89	8.04	12.34	17.34	30.45	45.37
	60%	0.46	1.82	5.31	2.88	7.53	7.77	12.01	16.93	29.01	43.59
	55%	0.44	1.79	5.07	2.74	7.17	7.45	11.69	16.39	27.98	41.71
	50%	0.43	1.76	4.83	2.60	6.82	7.13	11.38	15.85	26.95	39.83
	45%	0.40	1.71	4.58	2.44	6.53	6.84	11.00	15.22	26.15	38.20
	40%	0.37	1.66	4.32	2.28	6.25	6.54	10.62	14.58	25.36	36.58
	35%	0.34	1.59	4.04	2.16	5.96	6.22	10.18	13.79	24.47	33.35
	30%	0.30	1.51	3.76	2.03	5.67	5.90	9.75	13.00	23.58	30.12
	25%	0.26	1.39	3.47	1.92	5.37	5.61	9.39	12.21	22.59	28.73
	20%	0.21	1.27	3.17	1.81	5.07	5.31	9.03	11.41	21.60	27.34
15%	0.21	1.07	2.71	1.71	4.76	4.95	8.72	10.66	20.51	26.15	
10%	-	0.87	2.26	1.62	4.44	4.60	8.40	9.91	19.42	24.97	
5%	-	0.56	1.82	1.52	3.96	4.32	8.00	9.19	18.23	24.17	