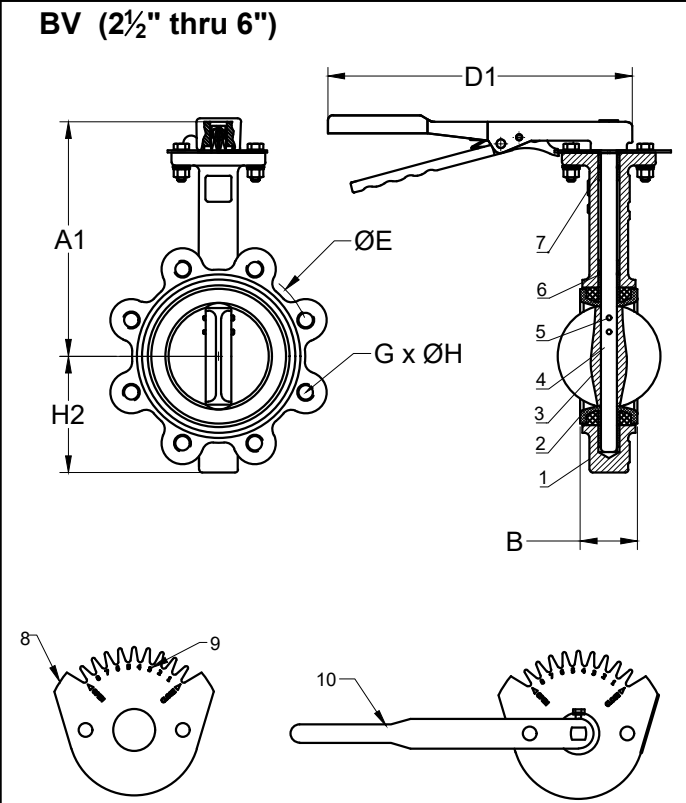


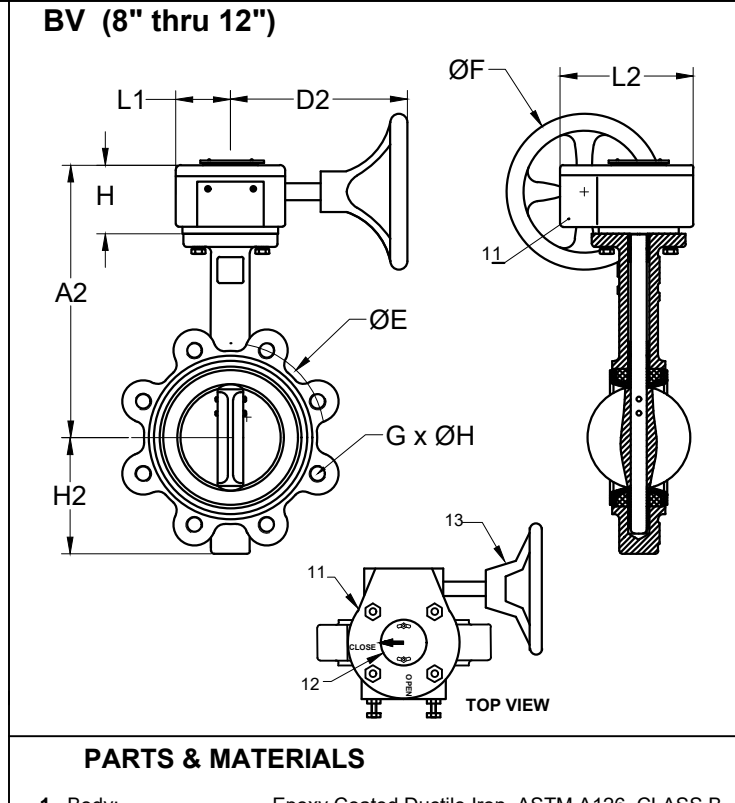
Butterfly Valve Model BV

(2½" thru 12")

BV (2½" thru 6")



BV (8" thru 12")



PARTS & MATERIALS

1 Body:	Epoxy Coated Ductile Iron, ASTM A126, CLASS B
2 Seat:	EPDM
3 Disk:	316 Stainless Steel (CF8M)
4 Shaft:	410 Stainless Steel
5 Disk Pins:	316 Stainless Steel
6 Stem Seals (3):	EPDM
7 Bushings:	PTFE
8 Top Plate:	Stainless Steel
9 Degree Indicator:	(stamped on Top Plate)
10 Latch/Lock Handle:	Ductile Iron
11 Gearbox:	Ductile Iron and Steel
12 Gearbox Indicator:	Steel
13 Hand Wheel:	Ductile Iron

DESIGN DATA

Ductile Iron Lug Type Body, EPDM Seat
 One-Piece Blowout-Proof Stainless Steel Shaft
 Working Pressure / Temperature: 225 PSIG Max. / -30°F to 250°F
 Compatible with ANSI 125# Class B or 150# Flanges
 Compliance with: MSS-SP67, API-609
 Bi-Directional; Dead-End Service @ 225 PSI with downstream Flange
 Gearbox Models: Worm-Drive with Hand Wheel

DIMENSIONS (inches) / PERFORMANCE DATA																
SIZE	A1	A2	H2	B	D1	D2	H	L1	L2	ØE	ØF	G x ØH	Bolt Length ¹	Torque ² (ft-lbs)	Cv (Full Open)	WT (lbs)
2½	7.40	-	3.50	1.96	10.47	-	-	-	-	5½	-	4 x ⅝"-11 UNC	1½	10	220	10.7
3	7.64	-	4.06	1.93	10.47	-	-	-	-	6	-	4 x ⅝"-11 UNC	1½	16	302	11.8
4	8.38	-	4.49	2.18	10.47	-	-	-	-	7½	-	8 x ⅝"-11 UNC	1¾	20	600	17.6
5	8.90	-	5.00	2.32	10.47	-	-	-	-	8½	-	8 x ¾"-10 UNC	2	50	1022	23.7
6	9.41	11.66	5.47	2.33	10.47	4.65	2.76	2.05	5.08	9½	5.91	8 x ¾"-10 UNC	2	73	1579	26.0 / 36.1 ³
8	-	13.39	6.89	2.52	-	7.52	3.15	2.95	6.73	11¾	11.02	8 x ¾"-10 UNC	2¼	121	3136	41.2
10	-	14.65	8.00	2.83	-	7.52	3.15	2.95	6.73	14¼	11.02	12 x ⅞"- 9 UNC	2¼	192	5340	71.5
12	-	16.42	9.53	3.13	-	7.32	3.15	3.15	7.80	17	11.02	12 x ⅞"- 9 UNC	2½	271	8250	101.2

¹ BV mates with Std. ANSI 125# or 150# Class B Flanges. ² Max valve seating torque in fluid service @ 200 psi and 250°F temperature. ³ Model BV-0600 / BV-0600GB

ORDER DATA

Sample Part #:

B
V
-
0
6
0
0
G
B

Model _____
 BV (2½" thru 6") - Butterfly Valve w/ Top Plate Assy. and Handle
 BV (6" thru 12") - Butterfly Valve w/ Gearbox Assy. and Hand Wheel

Butterfly Valve Size _____
 0250=2½", 0300=3", 0400=4", 0500=5", 0600=6", 0800=8", 1000=10", 1200=12"

Option Order Codes (Accessories) _____
 GB - Gearbox option for 6" BV only

PROJECT _____

CONTRACTOR _____

PO/JOB NO. _____

ENGINEER _____

REPRESENTATIVE _____

DATE _____