



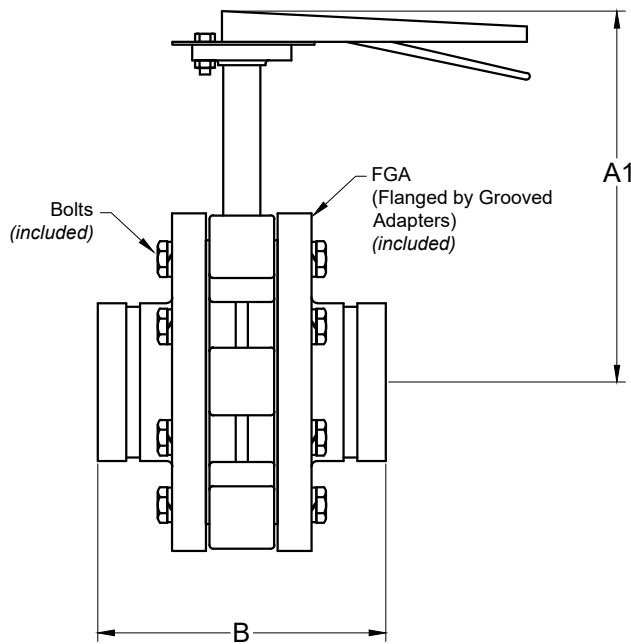
NEXUS

Butterfly Valve Model BVG

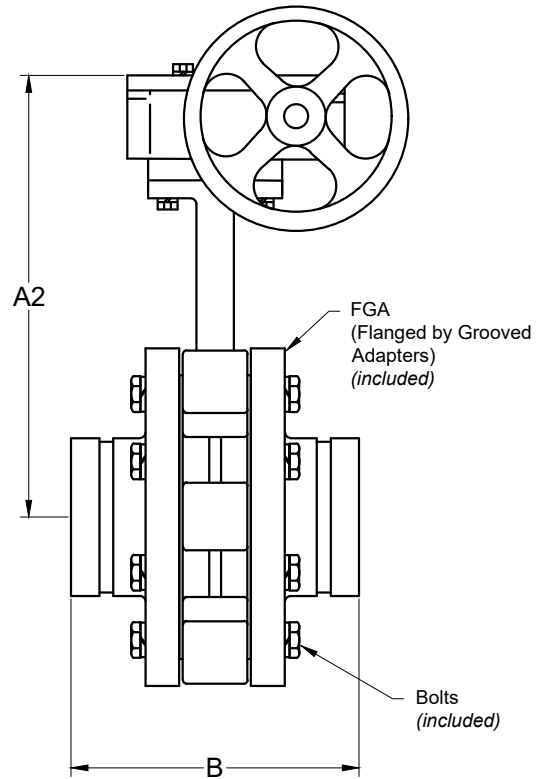
Grooved End Butterfly Valve

(2½" thru 12")

BVG (2½" thru 6")



BVG (6" thru 12")



DIMENSIONS [inches]

SIZE	A1	A2	B	Flange	Cv (Full Open)	WT [lbs]	
						Butterfly Valve	FGA ²
2½	8.2	-	6.42	GA - 250	220	10.7	17.8
3	8.4	-	6.56	GA - 300	302	11.8	20.3
4	9.1	-	7.33	GA - 400	600	17.6	33.8
5	9.5	-	7.58	GA - 500	1022	23.7	44.3
6	10.2	11.6	7.80	GA - 600	1579	26.0 / 36.1 ¹	52.0
8	-	13.2	8.63	GA - 800	3136	41.2	76.5
10	-	14.5	9.26	GA - 1000	5340	71.5	120.1
12	-	16.3	9.83	GA - 1200	8250	101.2	163.1

Notes: ¹ Model BVG-0600 / BVG-0600GB; ² Weight for 2 Grooved Adapters w/ Hardware

MATERIALS & DESIGN DATA

- VALVE BODY:EPOXY COATED DUCTILE IRON, ASTM A126, CLASS B, 175 PSIG, 250°F
- DISK:316 STAINLESS STEEL (CF8M)
- SHAFT:410 STAINLESS STEEL
- TOP PLATE:STAINLESS STEEL
- GEAR BOX:EPOXY COATED DUCTILE IRON AND STEEL
- HAND WHEEL:EPOXY COATED DUCTILE IRON
- GROOVED ADAPTERS:DUCTILE IRON, ASTM A395, 175 PSIG, 250°F, STANDARD 125# CLASS B FLANGES (MATE TO 150# FLANGES ALSO)

ORDER DATA

Sample Part #:

B V G - 0 6 0 0 G B

Model _____

BVG (2½" thru 6") - Grooved End Butterfly Valve w/Top Plate Assy & Handle

BVG (6" thru 12") - Grooved End Butterfly Valve w/Gearbox Assy & Hand Wheel

Butterfly Valve Size _____

0250=2½", 0300=3", 0400=4", 0500=5", 0600=6", 0800=8", 1000=10", 1200=12"

Option Order Codes (Accessories) _____

GB - Gearbox option for 6" BVG only

PROJECT _____

CONTRACTOR _____

PO/JOB NO. _____

ENGINEER _____

REPRESENTATIVE _____

DATE _____