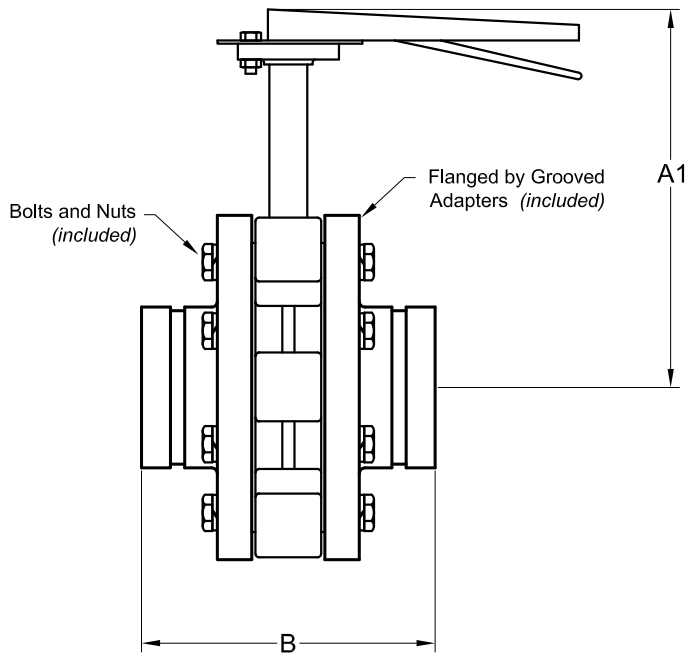
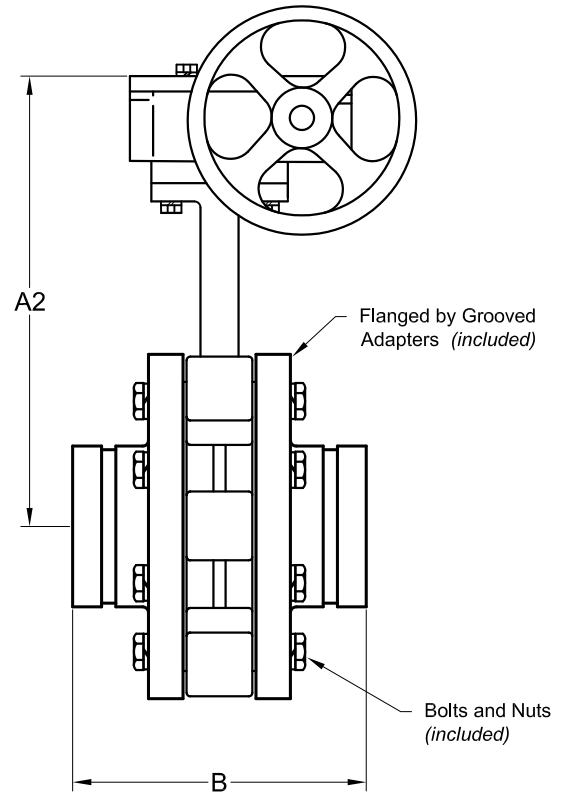


BVG (2½" thru 6")



BVG (6" thru 12")



DIMENSIONS (inches)

SIZE	A1	A2	B	Flange	Cv (Full Open)	WT (lbs)
2½	8.2	-	6.42	GA - 250	196	26.4
3	8.4	-	6.56	GA - 300	302	29.6
4	9.1	-	7.33	GA - 400	600	44.0
5	9.5	-	7.58	GA - 500	1022	56.0
6	10.2	11.6	7.80	GA - 600	1579	73.0 / 82.0 ¹
8	-	13.2	8.63	GA - 800	3136	126.2
10	-	14.5	9.26	GA - 1000	5340	191.2
12	-	16.3	9.83	GA - 1200	8250	254.2

¹ Model BVG-0600 / BVG-0600G

MATERIALS & DESIGN DATA

VALVE BODY:EPOXY COATED CAST IRON, ASTM A126, CLASS B, 175 PSIG, 250°F
 DISK:304 STAINLESS STEEL
 SHAFT:416 STAINLESS STEEL
 TOP PLATE:CHROME PLATED STEEL
 GEAR BOX:EPOXY COATED CAST IRON AND STEEL
 HAND WHEEL:EPOXY COATED CAST IRON
 GROOVED ADAPTERS:DUCTILE IRON, ASTM A395, 175 PSIG, 250°F, STANDARD 125# CLASS B FLANGES (MATE TO 150# FLANGES ALSO)

ORDER DATA

Sample Part #:

B V G - 0 6 0 0 G B

Model _____

BVG (2½" thru 6") - Grooved End Butterfly Valve w/Top Plate Assy & Handle

BVG (6" thru 12") - Grooved End Butterfly Valve w/Gearbox Assy & Hand Wheel

Butterfly Valve Size _____

0250=2½", 0300=3", 0400=4", 0500=5", 0600=6", 0800=8", 1000=10", 1200=12"

Option Order Codes (Accessories) - - - - -

GB - Gearbox option for 6" BVG only

PROJECT _____

CONTRACTOR _____

PO/JOB NO. _____

ENGINEER _____

REPRESENTATIVE _____

DATE _____