

NOTES:

- 1) Nexus recommends that UltraFlex Hoses should be used with HSA, HNA or HPA Hose Adapters.
- 2) 2½" UltraFlex Hose: connector with MNPT x MNPT Ends only.

MATERIALS & DESIGN DATA

BODIES, END PIECESHOT FORGED BRASS ASTM B283 CAST BRASS: UY/MB (2", 2½") FNPT, SWT, NexPress, NexLok 600 WOG, 325°F (NexPress: 200 PSIG, 250°F / NexLok: 250 PSIG, 200°F), INTERCHANGEABLE UNION ENDS
HANDLES & NUTSZINC PLATED / PVC COATED
FILTER SCREEN (UY)304 STAINLESS STEEL, 20 MESH / 40 MESH (optional)
BALLSHARD CHROME PLATED BRASS / STAINLESS STEEL (optional)
BALL SEALSTEFLON
SHAFTSBRASS / STAINLESS STEEL (optional) BLOWOUT-PROOF SHAFT
SHAFT SEALSDUAL FKM O-RINGS
UNION SEALSFKM O-RING
CAP SEALS (MB)FKM O-RING
MB BALANCING GLOBEBRASS
MB HANDLEABS
MB EXTENSIONBRASS, ABS
HOSE SPECS400 PSI (½" thru 1"), 248°F 300 PSI (1¼" thru 2"), 248°F 400 PSI (2½"), 70°F
HOSE COREREINFORCED EPDM
HOSE BRAIDSTAINLESS STEEL
HOSE FITTINGSBRASS OT58
HOSE GASKETEPDM

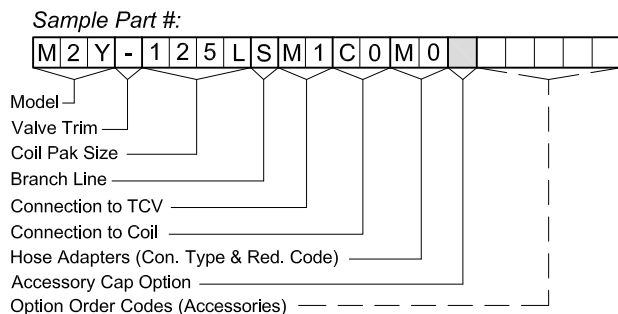
FLOW RATE RECOMMENDATION GUIDE

SIZE [inches]	IDEAL FLOW RANGES [gpm]	
	Min.	Max.
½, ¾ LO, 1 LO	0.25	8.00
¾ STD, 1 STD, 1¼ LO	0.45	18.00
1¼ STD, 1½	1.00	40.00
2, 2½	1.50	95.00

ACCESSORIES

Order Code	Part No.	Description
<input type="checkbox"/>	C CV-1, CV-2. CHECK VALVE CV-1 for ½", ¾" LO, 1" LO; CV-2 for ¾" STD, 1" STD, 1¼" LO; Center Guided, Non-Slam Check
<input type="checkbox"/>	H HT. HANGING TAG with Model No., Location, Flow Rate (Maximum 7 Characters)
<input type="checkbox"/>	K MV-025L. MANUAL AIR VENT EXTENDED 325°F, 400 PSIG, ¼" MNPT, Slide Discharge, 2¼" O.A.L. Note: Not available for 2" and 2½". PTE. PRES / TEMP TEST PLUG EXTENSION; 1¼" O.A.L. ES-1, ES-2, ES-3. EXTENDED HANDLE Stationary housing for full-height vapor barrier ES-MB. EXTENSION; 3" O.A.L.
<input type="checkbox"/>	L SL. SHORT LEVER HANDLE
<input type="checkbox"/>	M HNA. HOSE ADAPTER. Straight pipe threads and MNPT pipe threads
<input type="checkbox"/>	S HSA. HOSE ADAPTER. Straight pipe threads and Sweat end
<input type="checkbox"/>	P HPA. HOSE ADAPTER. Straight pipe threads and NexPress end
<input type="checkbox"/>	T T.C.V. Handling (TC) & Hard Piped (CC) (See TCV Catalog for Order Codes)

ORDER DATA



Please consult the "Ordering Guide" section in Nexus Valve Catalog for complete part number and ordering information.

PROJECT _____

CONTRACTOR _____

PO/JOB NO. _____

ENGINEER _____

REPRESENTATIVE _____

DATE _____