


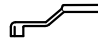




MATERIALS & DESIGN DATA

- BODIES, END PIECESHOT FORGED BRASS ASTM B283
FNPT, SWT, NexPress, NexLok
600 WOG, 325°F (NexPress: 200 PSIG, 250°F /
NexLok: 250 PSIG, 200°F),
INTERCHANGEABLE UNION ENDS
- HANDLES & NUTSZINC PLATED / PVC COATED
- BALLSHARD CHROME PLATED BRASS /
STAINLESS STEEL (optional)
- BALL SEALSTEFLON
- SHAFTSBRASS / STAINLESS STEEL (optional)
BLOWOUT-PROOF
- SHAFT SEALSDUAL FKM O-RINGS
- UNION SEALSFKM O-RING

ACCESSORIES

	Order Code	Part No.	Description
	<input type="checkbox"/>	C CV-1, CV-2. CHECK VALVE CV-1 for ½", ¾"LO & 1"LO CV-2 for ¾"STD, 1"STD & 1¼"LO; Center Guided, Non-Slam Check
	<input type="checkbox"/>	H HT. HANGING TAG with Model No., Location, Flow Rate (Maximum 7 Characters)
	<input type="checkbox"/>	K ES. EXTENSION KITS
	<input type="checkbox"/>	L SL. SHORT LEVER HANDLE
	<input type="checkbox"/>	T T.C.V. Handling (TC) & Hard Piped (CC) (See TCV Catalog for Order Codes)
	<input type="checkbox"/>	V MV-025. MANUAL AIR VENT 325°F, 400 PSIG, ¼" MNPT, Side Discharge

ORDER DATA

Sample Part #:

XX - 1 2 5 L S M 1 S 0

- Model _____
- Valve Trim _____
- Coil Pak Size _____
- Branch Line _____
- Connection to TCV _____
- Connection to Coil _____
- Accessory Cap Option _____
- Option Order Codes (Accessories) _____

Please consult the "Ordering Guide" section in Nexus Valve Catalog for complete part number and ordering information.

PROJECT _____

CONTRACTOR _____

PO/JOB NO. _____

ENGINEER _____

REPRESENTATIVE _____

DATE _____