

## MATERIALS & DESIGN DATA

BODIES, END PIECES	.....HOT FORGED BRASS ASTM B283 FNPT, SWT, NexPress, NexLok 600 WOG, 325°F (NexPress: 200 PSIG, 250°F / NexLok: 250 PSIG, 200°F), INTERCHANGEABLE UNION ENDS
HANDLES & NUTS	.....ZINC PLATED
BALLS	.....HARD CHROME PLATED BRASS / STAINLESS STEEL (optional)
BALL SEALS	.....TEFLON
SHAFTS	.....BRASS / STAINLESS STEEL (optional)
SHAFT SEALS	.....DUAL FKM O-RINGS
UNION SEALS	.....FKM O-RING
CAP SEAL (MB)	.....FKM O-RING
MB BALANCING GLOBE	.....BRASS
MB HANDLE	.....ABS
MB EXTENSION	.....BRASS, ABS
HOSE SPECS	.....400 PSI, 248°F
HOSE CORE	.....REINFORCED EPDM
HOSE BRAID	.....STAINLESS STEEL
HOSE FITTINGS	.....BRASS OT58
HOSE GASKET	.....EPDM

## FLOW RATE RECOMMENDATION GUIDE

SIZE [inches]	IDEAL FLOW RANGES [gpm]	
	Min.	Max.
½, ¾ LO, 1 LO	0.25	8.00
¾ STD, 1 STD	0.45	18.00

## ACCESSORIES

	Order Code	Part No.	Description
	<input type="checkbox"/> C	.... CV-1, CV-2.	CHECK VALVE CV-1 for ½", ¾" LO, 1" LO; CV-2 for ¾" STD, 1" STD; Center Guided, Non-Slam Check
	<input type="checkbox"/> H	.... HT.	HANGING TAG with Model No., Location, Flow Rate (Maximum 7 Characters)
	<input type="checkbox"/> MV-025L	.... MV-025L.	MANUAL AIR VENT EXTENDED 325°F, 400 PSIG, ½" MNPT, Side Discharge, 2¼" O.A.L.
	<input type="checkbox"/> PTE.	.... PTE.	PRES / TEMP TEST PLUG EXTENSION; 1½" O.A.L.
	<input type="checkbox"/> ES-1.	.... ES-1.	EXTENDED HANDLE Stationary housing for full-height vapor barrier
	<input type="checkbox"/> ES-MB.	.... ES-MB.	EXTENSION; 3" O.A.L.
	<input type="checkbox"/> L	.... SL.	SHORT LEVER HANDLE
	<input type="checkbox"/> HNA.	.... HNA.	HOSE ADAPTER. Straight pipe threads and MNPT pipe threads
	<input type="checkbox"/> HSA.	.... HSA.	HOSE ADAPTER. Straight pipe threads and Sweat end
	<input type="checkbox"/> HPA.	.... HPA.	HOSE ADAPTER. Straight pipe threads and NexPress end
	<input type="checkbox"/> MV-025.	.... MV-025.	MANUAL AIR VENT 325°F, 400 PSIG, ½" MNPT, Side Discharge

## ORDER DATA

Sample Part #:

**M X H - 0 7 5 - S - 2 4 M 0 - N**

Model	—
Valve Trim	—
Hose Pak Size	—
Branch Line	—
UltraFlex Hose Length	—
Hose Adapters (Con. Type & Red. Code)	—
Accessory Cap Option	—
Optional MB 3rd Port & Accessory (N=NO 3rd Port)	—
Option Order Codes (Accessories)	—

Please consult the "Ordering Guide" section in Nexus Valve Catalog for complete part number and ordering information.

PROJECT \_\_\_\_\_

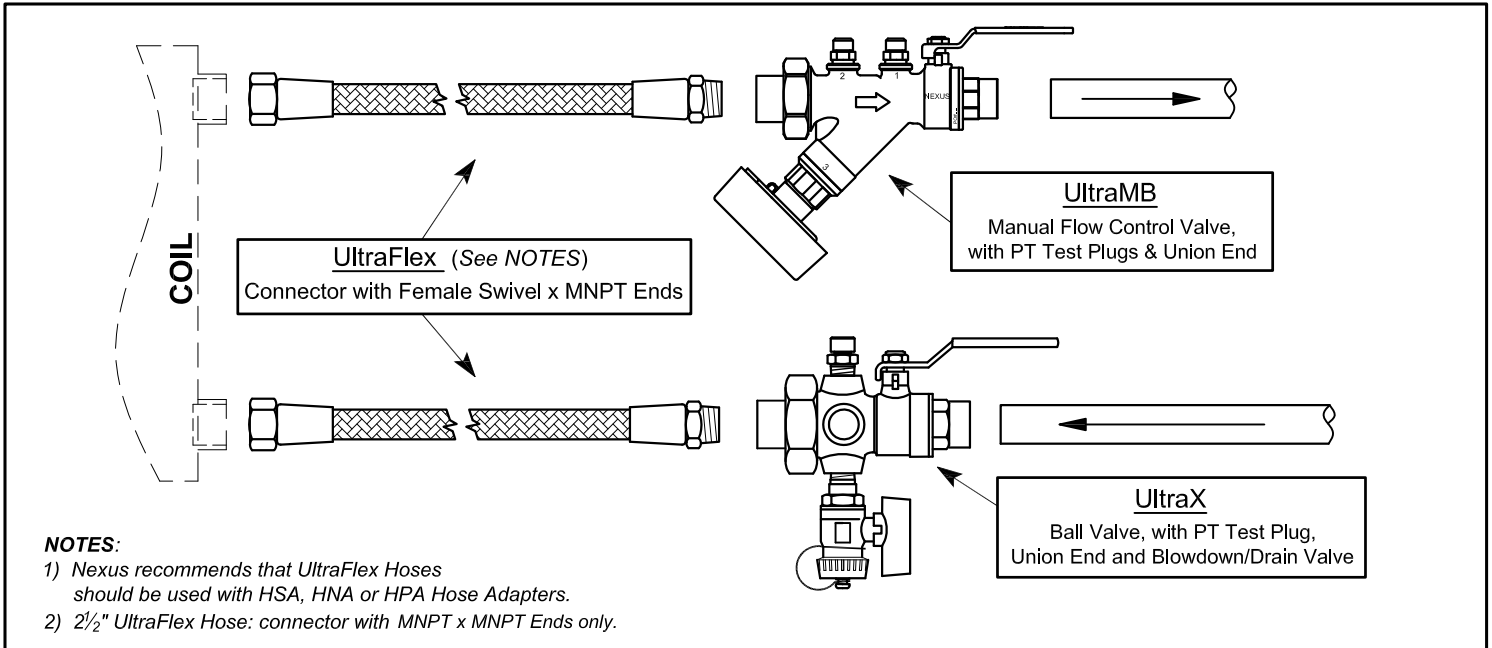
CONTRACTOR \_\_\_\_\_

PO/JOB NO. \_\_\_\_\_

ENGINEER \_\_\_\_\_

REPRESENTATIVE \_\_\_\_\_

DATE \_\_\_\_\_



## MATERIALS & DESIGN DATA

BODIES, END PIECES	.....HOT FORGED BRASS ASTM B283 (CAST BRASS: MB (2", 2½")), FNPT, SWT, NexPress, NexLok 600 WOG, 325°F (NexPress: 200 PSIG, 250°F / NexLok: 250 PSIG, 200°F), INTERCHANGEABLE UNION ENDS
HANDLES & NUTS	.....ZINC PLATED
BALLS	.....HARD CHROME PLATED BRASS / STAINLESS STEEL (optional)
BALL SEALS	.....TEFLON
SHAFTS	.....BRASS / STAINLESS STEEL (optional)
SHAFT SEALS	.....DUAL FKM O-RINGS
UNION SEALS	.....FKM O-RING
CAP SEAL (MB)	.....FKM O-RING
MB BALANCING GLOBE	.....BRASS
MB HANDLE	.....ABS
MB EXTENSION	.....BRASS, ABS
HOSE SPECS	.....300 PSI / 248°F (1¼" thru 2"), 400 PSI / 70°F (2½")
HOSE CORE	.....REINFORCED EPDM
HOSE BRAID	.....STAINLESS STEEL
HOSE FITTINGS	.....BRASS OT58
HOSE GASKET	.....EPDM

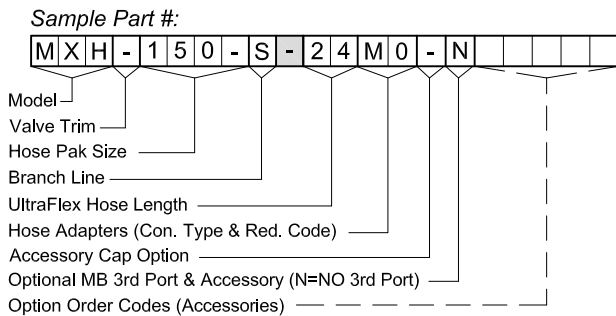
## FLOW RATE RECOMMENDATION GUIDE

SIZE [inches]	IDEAL FLOW RANGES [gpm]	
	Min.	Max.
1¼ LO	0.45	18.00
1¼ STD, 1½	1.00	40.00
2, 2½"	1.50	95.00

## ACCESSORIES

	Order Code	Part No.	Description
	<input type="checkbox"/> C	.... CV-2.	CHECK VALVE CV-2 for 1¼" LO; Center Guided, Non-Slam Check
	<input type="checkbox"/> H	.... HT.	HANGING TAG with Model No., Location, Flow Rate (Maximum 7 Characters)
	<input type="checkbox"/> MV-025L	.... MV-025L.	MANUAL AIR VENT EXTENDED 325°F, 400 PSIG, ¼" MNPT, Side Discharge, 2¼" O.A.L. <i>Note: Not available for 2" and 2½".</i>
	<input type="checkbox"/> K	.... PTE.	PRES / TEMP TEST PLUG EXTENSION; 1½" O.A.L.
	<input type="checkbox"/> ES-1, ES-2.	.... ES-1, ES-2.	EXTENDED HANDLE Stationary housing for full-height vapor barrier
	<input type="checkbox"/> ES-MB.	.... ES-MB.	EXTENSION; 3" O.A.L.
	<input type="checkbox"/> L	.... SL.	SHORT LEVER HANDLE
	<input type="checkbox"/> HNA.	.... HNA.	HOSE ADAPTER. Straight pipe threads and MNPT pipe threads
	<input type="checkbox"/> HSA.	.... HSA.	HOSE ADAPTER. Straight pipe threads and Sweat end
	<input type="checkbox"/> HPA.	.... HPA.	HOSE ADAPTER. Straight pipe threads and NexPress end
	<input type="checkbox"/> V	.... MV-025.	MANUAL AIR VENT 325°F, 400 PSIG, ¼" MNPT, Side Discharge

## ORDER DATA



Please consult the "Ordering Guide" section in Nexus Valve Catalog for complete part number and ordering information.

PROJECT \_\_\_\_\_

CONTRACTOR \_\_\_\_\_

PO/JOB NO. \_\_\_\_\_

ENGINEER \_\_\_\_\_

REPRESENTATIVE \_\_\_\_\_

DATE \_\_\_\_\_