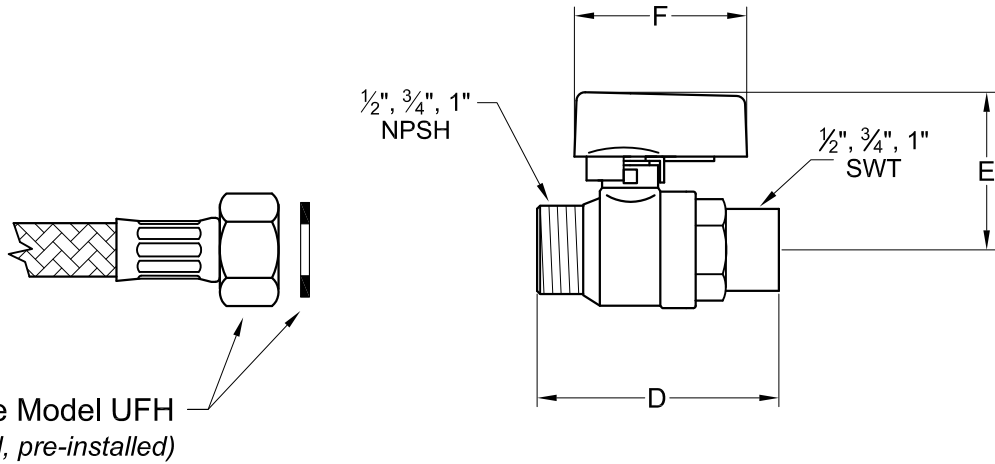




UltraNX™ Model NXH

Ball Valve, SWT End

(1/2" thru 1")



UltraFlex Hose Model UFH
(Gasket included, pre-installed)

VALVE DIMENSIONS [inches]

SIZE [inches]	D	E	F	BALL I.D.	Cv	WT [lbs] (Hose not included)
1/2	2.0	1.5	1.6	0.5	17	0.3
3/4	2.8	1.7	1.6	0.8	40	0.6
1	2.9	1.7	1.6	0.8	40	0.7

MATERIALS & DESIGN DATA

BODY, END PIECESHOT FORGED BRASS ASTM B283, 600 WOG, 325°F
HANDLEALUMINUM
BALLHARD CHROME PLATED BRASS
BALL SEALSTEFLON
SHAFTBRASS, BLOWOUT-PROOF
SHAFT SEALSDUAL FKM O-RINGS
MEMORY STOPSTAINLESS STEEL
HOSE SPECS400 PSI, 248°F
HOSE COREFABRIC REINFORCED EPDM
HOSE BRAIDSTAINLESS STEEL
HOSE FITTINGSBRASS OT58
HOSE GASKETEPDM

ORDER DATA

Model NXH Assembly:

Sample Part #:

N X H - 0 5 0 S - 2 4 M 0

Model _____
NXH
UltraNX Size _____
1/2" = 050; 3/4" = 075; 1" = 100
Fixed End _____
S = SWT
UltraFlex Hose Length _____
Lengths in Inches: 12, 18, 24, 36, 48
Hose Adapter Type _____
M = HNA; S = HSA; P = NexPress
Hose Adapter Reduction Code _____
0 = Hose Line Size; 1, 2 = Reduction(s) [if available]

Model NXH Valve Body only:

Nexus P/N:

Valve Size:

NX-050S-050MH-MS
NX-075S-075MH-MS
NX-100S-100MH-MS

1/2" SWT x UltraFlex Hose
3/4" SWT x UltraFlex Hose
1" SWT x UltraFlex Hose

PROJECT _____

CONTRACTOR _____

PO/JOB NO. _____

ENGINEER _____

REPRESENTATIVE _____

DATE _____