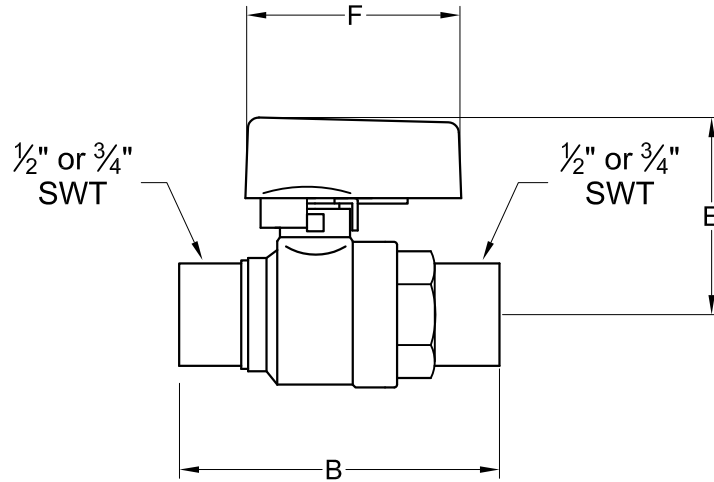




# UltraNX™ Model NXS

Ball Valve  
(1/2" & 3/4")



### DIMENSIONS [inches]

SIZE [inches]	B	E	F	BALL I.D.	Cv	WT [lbs]
1/2	2.3	1.5	1.6	0.5	17	0.3
3/4	3.0	1.7	1.6	0.8	40	0.6

### MATERIALS & DESIGN DATA

BODY, END PIECES .....HOT FORGED BRASS ASTM B283,  
600 WOG, 325°F  
HANDLE .....ALUMINUM  
BALL .....HARD CHROME PLATED BRASS  
BALL SEALS .....TEFLON  
SHAFT .....BRASS, BLOWOUT-FROOF  
SHAFT SEAL .....DUAL FKM O-RINGS  
MEMORY STOP .....STAINLESS STEEL

### ORDER DATA

Nexus P/N:

NX-050S-050S-MS  
NX-075S-075S-MS

Valve Size:

1/2" SWT x 1/2" SWT  
3/4" SWT x 3/4" SWT

PROJECT \_\_\_\_\_  
CONTRACTOR \_\_\_\_\_  
PO/JOB NO. \_\_\_\_\_  
ENGINEER \_\_\_\_\_  
REPRESENTATIVE \_\_\_\_\_  
DATE \_\_\_\_\_