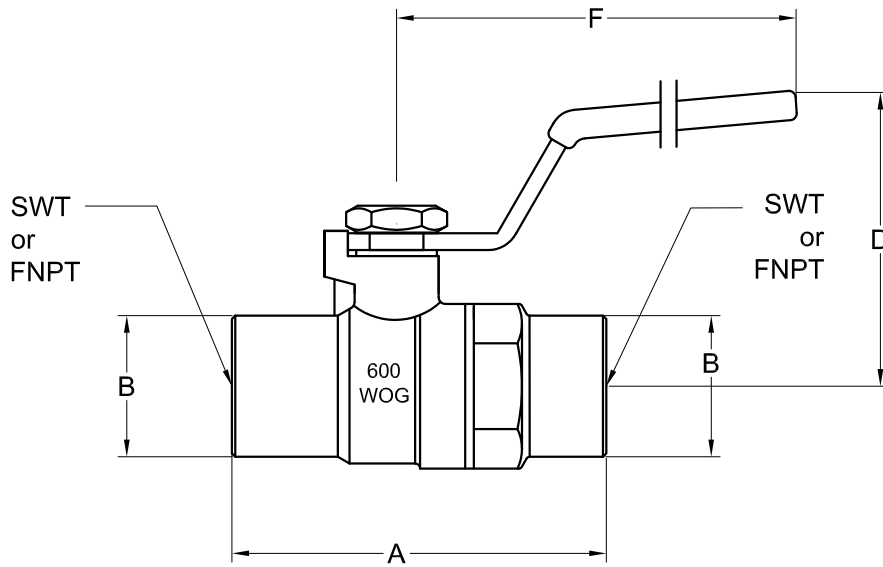


Standard Ball Valve Model SBV

Ball Valve

(1/2" thru 2")



Valve Body available in FNPT by FNPT, or Sweat by Sweat

DIMENSIONS [inches / mm]

SIZE [inches / mm]	A		B		D		F	WT [lbs / Kg]		Cv
	S (sweat)	F (FNPT)	S (sweat)	F (FNPT)	S (sweat)	F (FNPT)		S (sweat)	F (FNPT)	
1/2 / 15	2.0 / 50.0	2.0 / 50.5	0.63 / 16.0	1/2"	1.85 / 47.0	1.85 / 47.0	3.35 / 85.0	0.30 / 0.14	0.35 / 0.16	8
3/4 / 20	2.6 / 66.0	2.2 / 54.6	0.88 / 22.3	3/4"	1.97 / 50.0	2.05 / 52.0	3.54 / 90.0	0.40 / 0.18	0.50 / 0.23	14
1 / 25	3.2 / 82.0	2.6 / 66.6	1.13 / 28.7	1"	2.14 / 54.5	2.15 / 54.6	3.74 / 95.0	0.76 / 0.35	0.72 / 0.33	32
1 1/4 / 32	3.5 / 88.4	3.0 / 77.2	1.38 / 35.0	1 1/4"	2.47 / 62.7	2.39 / 60.6	4.53 / 115.0	1.25 / 0.57	1.00 / 0.45	59
1 1/2 / 40	4.1 / 104.0	3.5 / 88.5	1.63 / 41.4	1 1/2"	2.89 / 73.5	2.89 / 73.5	5.55 / 141.0	1.81 / 0.82	1.92 / 0.87	118
2 / 50	4.8 / 122.0	3.8 / 96.0	2.13 / 54.1	2"	2.95 / 75.0	3.15 / 80.0	5.55 / 141.0	2.00 / 0.91	2.50 / 1.14	155

MATERIALS & DESIGN DATA

BODYHOT FORGED BRASS ASTM B283, 600 WOG, 325°
SHAFTBRASS, BLOWOUT PROOF
HANDLE & NUTZINC PLATED / PVC COATED
BALLHARD CHROME PLATED BRASS
BALL SEALSTEFLON
SHAFT SEALSDUAL FKM O-RINGS

ORDER DATA

Sample Part #:

SBV - 050S

Model _____
SBV - Standard Ball Valve

Size _____
1/2" = 050; 3/4" = 075; 1" = 100; 1 1/4" = 125; 1 1/2" = 150; 2" = 200
S for Sweat, F for FNPT

PROJECT _____

CONTRACTOR _____

PO/JOB NO. _____

ENGINEER _____

REPRESENTATIVE _____

DATE _____