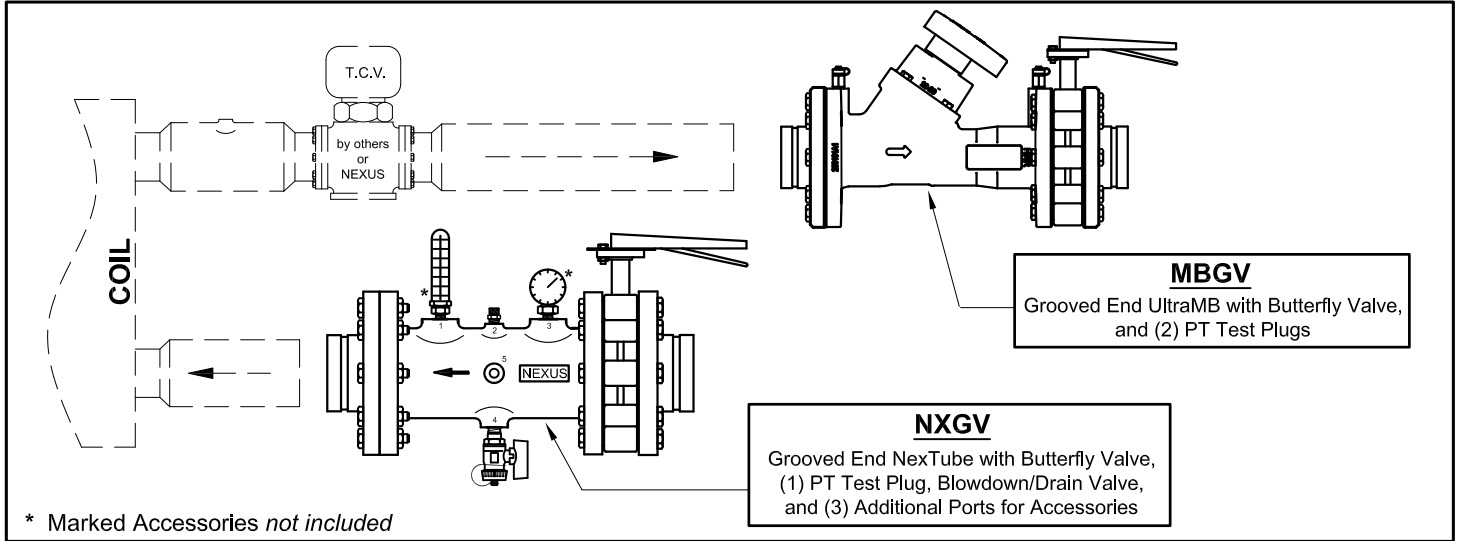




Coil Pak™ M2GN

(2½" thru 12")



MATERIALS & DESIGN DATA

BODYCAST IRON, ASTM A126, CLASS B 232 PSIG, 250°F STANDARD 125# CLASS B FLANGES
CAPCAST IRON (2½" thru 8"), DUCTILE IRON (10" & 12")
LIMITING SCREWBRASS C36000
STEMBRASS C36000 (2½" thru 8"), BRASS C37700 (10" & 12")
RETAINING RINGBRASS, ASTM B16 C36000
SPRINGSTAINLESS STEEL 302
O-RINGSEPDM
HANDWHEELPOLYAMIDE (2½" thru 6"); STEEL, EPOXY COATED (8" thru 12")
POSITION INDICATORPOLYAMIDE (2½" thru 8"); NYLON (10" & 12")
OBTURATORCOMPOSITE
SEALEPDM
SCREWSSTAINLESS STEEL
GLOBERYTON (PPS)
NEXTUBECAST IRON BODY, ASTM A126, CLASS B, 175 PSIG, 250°F, STANDARD 125# CLASS B FLANGES (MATES TO 150# FLANGES ALSO)
BUTTERFLY VALVEEPOXY COATED CAST IRON, ASTM A126, CLASS B, LUG TYPE BUTTERFLY VALVE, 225 PSIG, 250°F, 304 STAINLESS STEEL DISK, 416 STAINLESS STEEL SHAFT
GROOVED ADAPTERSDUCTILE IRON, ASTM A395, 175 PSIG, 250°F, STANDARD 125# CLASS B FLANGES
BOLTSZINC PLATED STEEL
ACCURACY±5%

FLOW RATE RECOMMENDATION GUIDE

SIZE [inches]	IDEAL FLOW RANGES [GPM]		Handwheel Turns
	Min.	Max.	Max. (functional)
2½	1.1	160.0	9
3	1.6	240.0	9
4	2.2	400.0	8
5	3.8	560.0	7.5
6	17.0	800.0	8.5
8	50.0	2,000.0	13
10	30.0	2,600.0	11
12	31.0	3,200.0	11

ACCESSORIES

	Order Code	Part No.	Description
	<input type="checkbox"/> A AV-025.	AUTOMATIC AIR VENT 250°F, 150 PSIG, positive shut-off, ½" MNPT
	<input type="checkbox"/> GB BV-0600GB.	GEARBOX WITH HAND WHEEL (for 6" only)
	<input type="checkbox"/> H HT.	HANGING TAG with Model No., Location, Flow Rates (Maximum 7 Characters)
	<input type="checkbox"/> V MV-025.	MANUAL AIR VENT 325°F, 400 PSIG, ½" MNPT, Side Discharge
	<input type="checkbox"/> W TW-075.	THERMOMETER WELL ¾" MNPT
	<input type="checkbox"/> X MV-025L.	MANUAL AIR VENT EXTENDED 325°F, 400 PSIG, ½" MNPT, Side Discharge, 2¼" O.A.L.
	 PTE.	PRES / TEMP TEST PLUG EXTENSION 1⅞" O.A.L.

ORDER DATA

Sample Part #:

M 2 G N 0 4 0 0 - 0 0 1 4 5 X

Model	M
Coil Pak Size	2
0250 = 2½", 0300 = 3", 0400 = 4", 0600 = 6"	G
Flow Rate (GPM)	N
Extended Accessories (ES)	0
Port Accessories (Return Side)	4
Port Accessories (Supply Side)	0
Option Order Codes (HT)	0
Option Order Codes (GB)	1
	4
	5
	X

PROJECT _____

CONTRACTOR _____

PO/JOB NO. _____

ENGINEER _____

REPRESENTATIVE _____

DATE _____

M2GN coil paks include base model UltraMB & NexTube.
Additional accessories and options may be ordered separately.