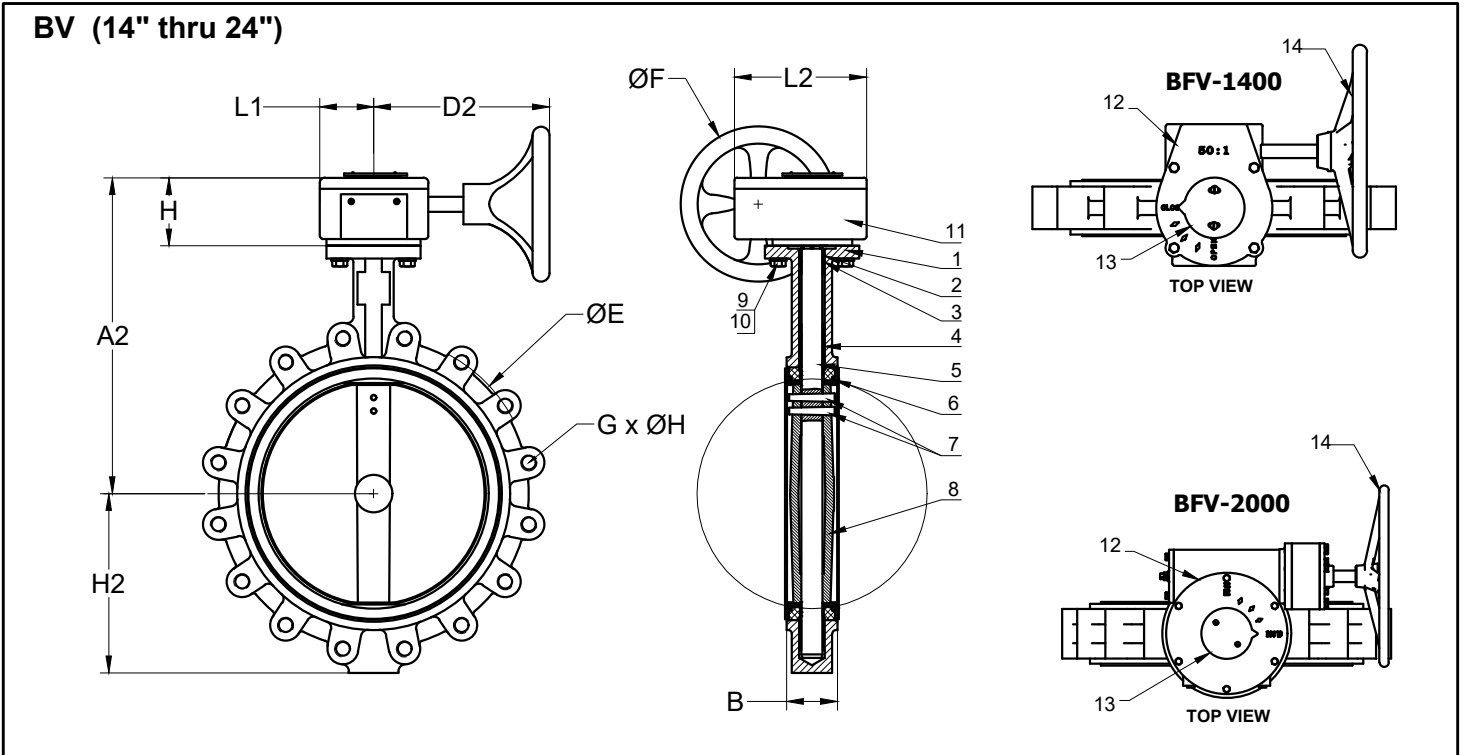


# Butterfly Valve Model BV

(14" thru 24")



### PARTS & MATERIALS

- |                        |   |
|------------------------|---|
| 1 Body:                | Epoxy Coated Ductile Iron, ASTM A126, Class B |
| 2 Bushing short:       | Bronze / PTFE                                 |
| 3 O-Ring:              | EPDM / Buna                                   |
| 4 Bushing long:        | Bronze / PTFE                                 |
| 5 Shaft:               | 410, 420, 431 Stainless Steel                 |
| 6 Seat:                | EPDM  |
| 7 Disk Pins:           | 316 Stainless Steel                           |
| 8 Disk:                | 316 Stainless Steel (CF8M)                    |
| 9 Bolt:                | Carbon Steel                                  |
| 10 Spring Washer:      | Spring Steel                                  |
| 11 Gear Box:           | Ductile Iron and Steel                        |
| 12 Top Plate:          | Chrome Plated Stainless Steel                 |
| 13 Gear Box Indicator: | Steel with Chrome Plating                     |
| 14 Hand Wheel:         | Ductile Iron                                  |

### DESIGN DATA

Ductile Iron Lug Type Body, EPDM Seat

One-Piece Blowout-Proof Stainless Steel Shaft

Working Pressure / Temperature: 225 PSIG Max. / -30°F to 250°F

Compatible with: ANSI 150# Class B Flanges

Compliance with: MSS-SP67, API-609

Bi-Directional; Dead-End Service @ 225 PSI with downstream Flange

Gearbox Models: Worm-Drive with Hand Wheel

### DIMENSIONS (inches) / PERFORMANCE DATA

SIZE	A2	H2	B	D2	H	L1	L2	ØE	ØF	G x ØH	Bolt <sup>2</sup> Length	Torque <sup>1</sup> (ft-lbs)	Cv (Full Open)	WT (lbs)
14	17.64	10.51	2.99	8.35	3.15	3.15	7.80	18¾	11.02	12 x 1"-8 UNC	2⅞	292	11917	123.0
16	19.65	12.17	4.02	10.83	3.90	4.92	11.02	21¼	15.75	16 x 1"-8 UNC	3½	459	16388	196.0
18	20.51	12.87	4.49	10.83	3.90	4.92	11.02	22¾	15.75	16 x 1-1/8"-7 UNC	3⅞	684	21705	256.0
20	24.80	14.21	5.00	13.78	5.91	5.12	12.44	25	15.75	20 x 1-1/8"-7 UNC	4¼	834	27908	473.0
24	28.03	18.07	5.94	13.78	5.91	5.12	12.44	29½	15.75	20 x 1-1/4"-7 UNC	4⅞	1557	43116	649.0

<sup>1</sup> Max valve seating torque in fluid service @ 200 psi and 250°F temperature; <sup>2</sup> BV mates with Std. ANSI 150# Class B Flange

### ORDER DATA

Sample Part #:

**BV - 1600**

Model \_\_\_\_\_

BV (14" thru 24") - Butterfly Valve w/ Gearbox Assy & Hand Wheel

Butterfly Valve Size \_\_\_\_\_

1400=14", 1600=16", 1800=18", 2000=20", 2400=24"

PROJECT \_\_\_\_\_

CONTRACTOR \_\_\_\_\_

PO/JOB NO. \_\_\_\_\_

ENGINEER \_\_\_\_\_

REPRESENTATIVE \_\_\_\_\_

DATE \_\_\_\_\_