



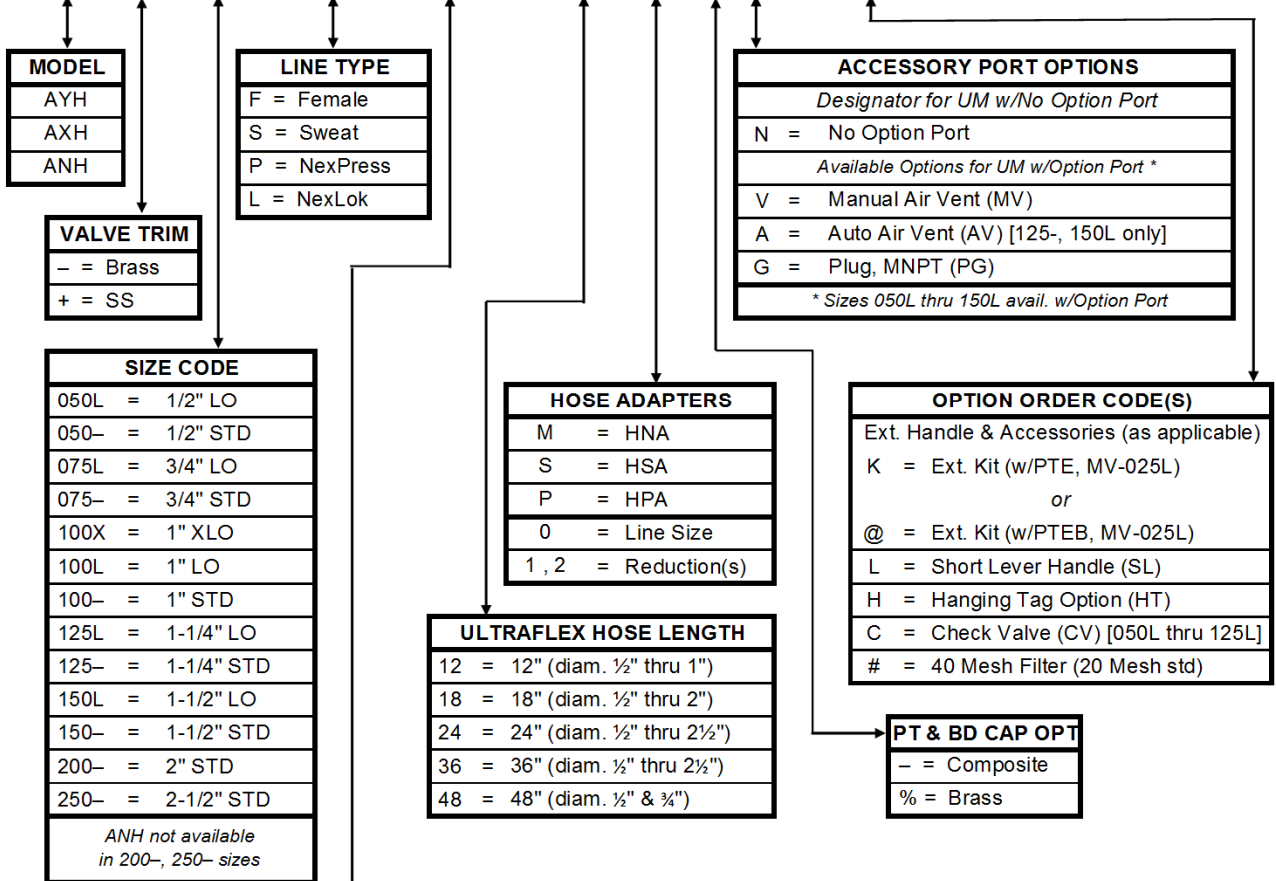
Ordering Guide for "A" Hose Paks™

Models AYH, AXH (1/2" thru 2-1/2")

Model ANH (1/2" thru 1-1/2")

Part # Template w/Sample Part #:

A Y H - 0 7 5 - S - 0 1 5 - 2 4 M 0 - N K L H C #



FLOW RATE (GPM)	
050L, 075L, 100X	0.33, 0.5, 0.75, 1.0, 1.25, 1.5, 1.75, 2.0, 2.25, 2.5, 2.75, 3.0, 3.5, 4.0, 4.5, 5.0, 5.5, 6.0, 7.0, 8.0
050, 075, 100L, 125L	0.5, 1.0, 1.5, 2.0, 2.5, 3.0, 3.5, 4.0, 4.5, 5.0, 5.5, 6.0, 7.0, 8.0, 9.0, 10.5, 11.0, 12.0, 13.0, 14.0, 15.0
100, 125, 150L	8.0, 9.0, 10.0, 11.0, 12.0, 13.0, 14.0, 15.0, 16.0, 17.0, 18.0, 19.0, 20.0, 21.0, 22.0, 24.0, 25.0, 30.0, 35.0, 40.0, 45.0
150, 200, 250	25.0, 30.0, 35.0, 40.0, 45.0, 50.0, 55.0, 60.0, 65.0, 70.0, 75.0, 80.0, 85.0, 90.0, 95.0, 100.0
<i>Please note the implied decimal point in flow rate entry. Example: Enter 01.5 gpm as "015", 12.0 gpm as "120", etc.</i>	