

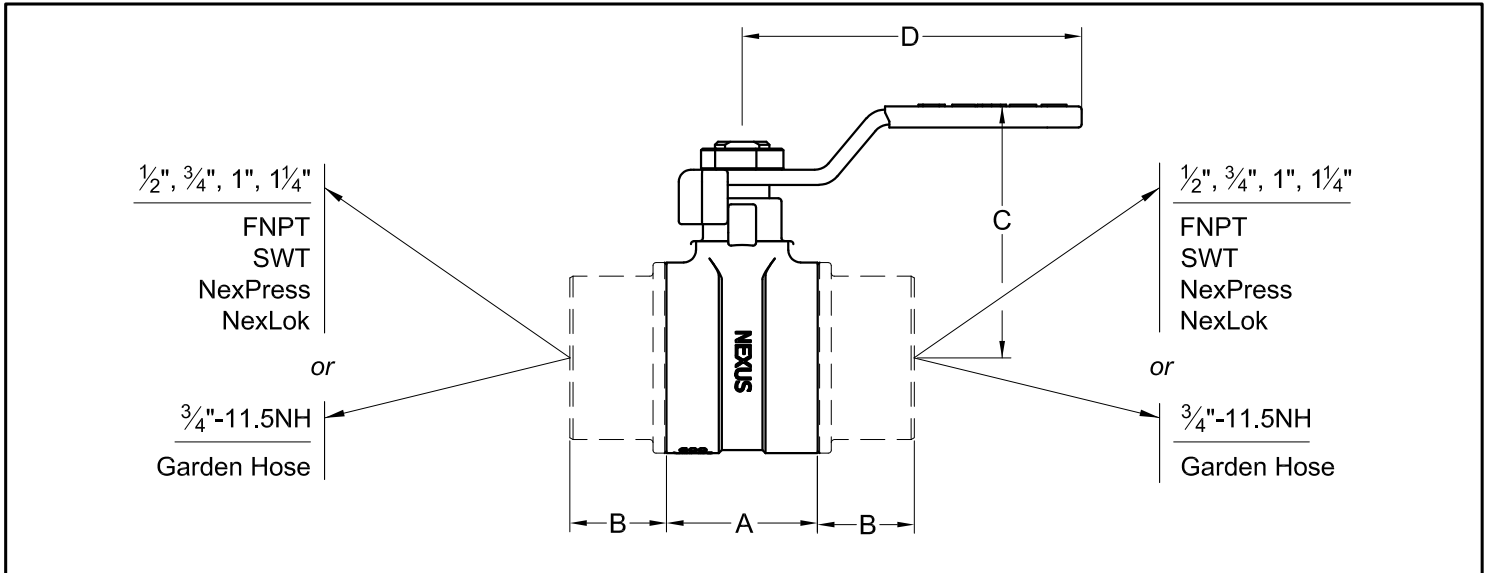


NEXUS

Configur-A-Ball™ Model CB

Configurable Ball Valve

(1/2" thru 1 1/4")



DIMENSIONS [inches]

SIZE [Inches]	LO	STD	A	B (per Fixed End)					C	D	BALL I.D.	Cv	WT [lbs]
				F (NPT)	S (SWT)	P (NexPress)	L (NexLok)	GH-075 (Garden Hose)					
1/2	✓		0.97	0.62	0.83	1.22	0.95	0.65	1.62	1.90	0.6	21	0.11
1/2		✓	1.10	0.81	0.73	1.23	1.02	0.66	1.67	3.10	0.8	42	0.18
3/4	✓		0.97	0.69	0.93	1.28	1.14	0.65	1.62	1.90	0.6	21	0.11
3/4		✓	1.10	0.71	0.98	1.34	1.14	0.66	1.67	3.10	0.8	42	0.18
1	✓		0.97	1.03	1.17	1.38	1.65	0.65	1.62	1.90	0.6	21	0.11
1		✓	1.10	0.87	1.08	1.33	1.71	0.66	1.67	3.10	0.8	42	0.18
1 1/4	✓		1.10	1.15	1.18	N/A	N/A	0.66	1.67	3.10	0.8	42	0.18

MATERIALS & DESIGN DATA

BODYDZR BRASS: CW602N, 600 WOG, 325°F
END PIECESHOT FORGED BRASS ASTM B283 NexLok: 250 PSIG, 200°F / NexPress: 200 PSIG, 250°F
HANDLE / NUTCARBON STEEL, PVC COATED / ZINC PLATED
BALLHARD CHROME PLATED BRASS / STAINLESS STEEL (optional)
BALL SEALSTEFLON
SHAFTBRASS / STAINLESS STEEL (optional) BLOWOUT-PROOF
SHAFT SEALSDUAL FKM O-RINGS
UNION SEALFKM O-RING

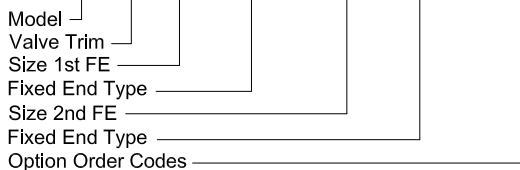
ACCESSORIES

	Order Code	Part No.	Description
	E	ES-1	EXTENDED HANDLE Stationary housing, for full-height vapor barrier <i>(Note: Not compatible with the Butterfly Handle)</i>
	H	HT	HANGING TAG with Model No., Location <i>(Maximum 7 Characters)</i>
	L	SL	SHORT LEVER HANDLE <i>(Note: Available for CB2)</i>
	M	MS-1	MEMORY STOP 304 Stainless Steel <i>(Note: Not compatible with the Butterfly Handle)</i>
	T	T-HDL	BUTTERFLY HANDLE Die-cast aluminum, Epoxy painted, Red 1.85" O.A.L.

ORDER DATA

Sample Part #:

CB1-050F-075MGH-



PROJECT _____

CONTRACTOR _____

PO/JOB NO. _____

ENGINEER _____

REPRESENTATIVE _____

DATE _____