

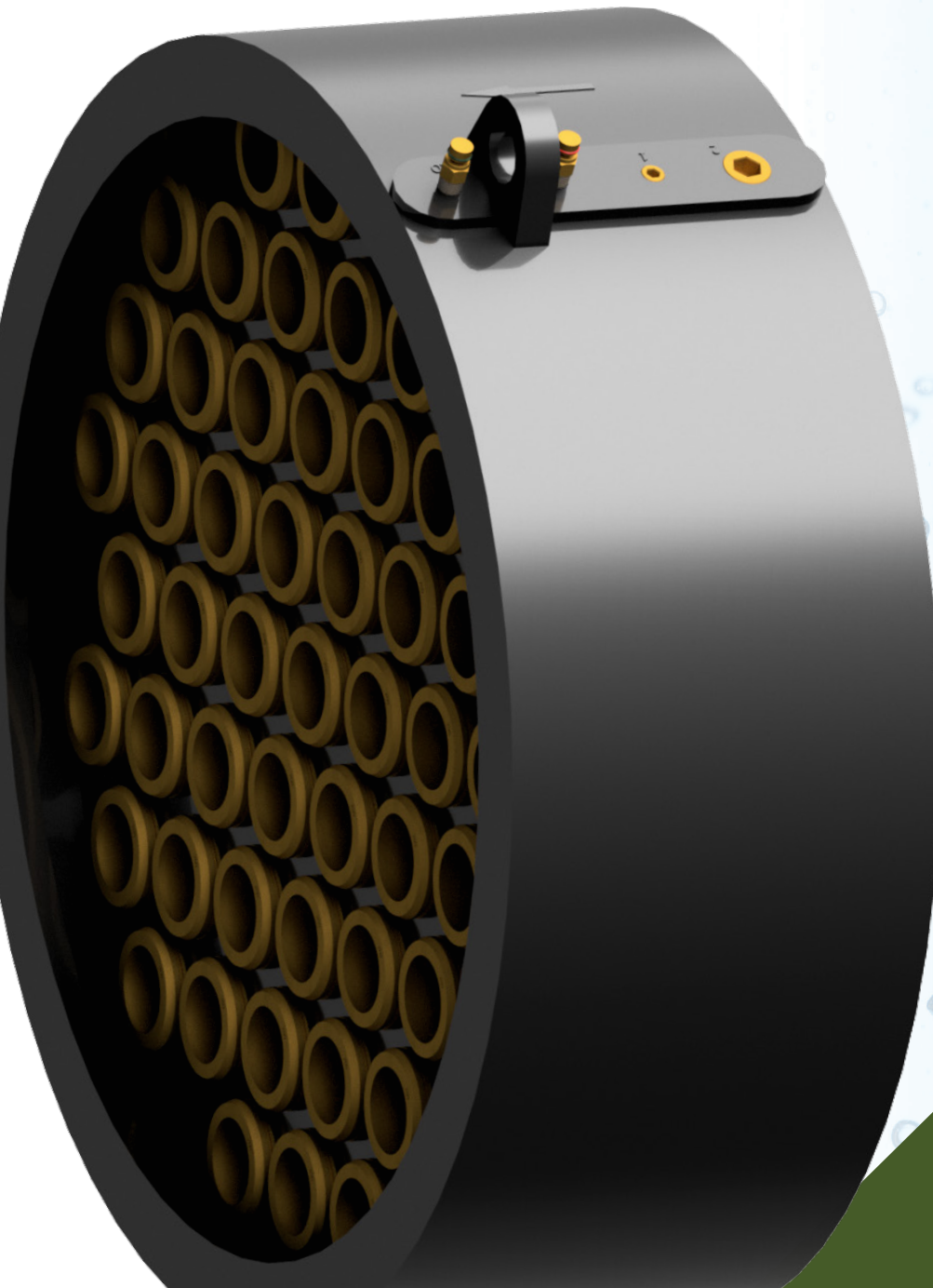


nexus

Balancing & Control

Large Dimension Valves

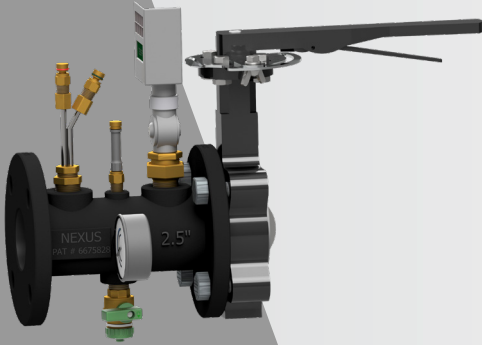
Hydronic Solutions
One connection at a time...



proven design

Nexus Balancing & Control solutions for large dimension equipment

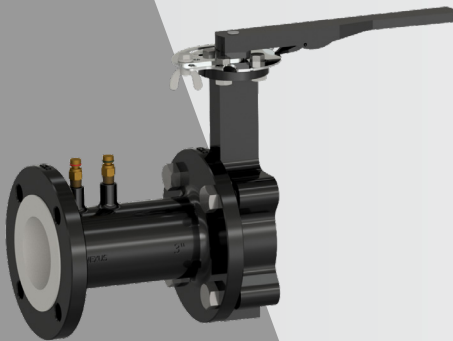
Whether you're controlling a chiller, cooling tower, or large air handler, we have a balancing & control solution for your needs.



Nextrol™

A combination calibrated manual balancing valve, TwinTube™ pitot tube and butterfly valve. Connections available in flanged, grooved or threaded. Valve comes standard with two pressure and temperature test plugs, memory stop, hanging tag, and additional ports for optional accessories.

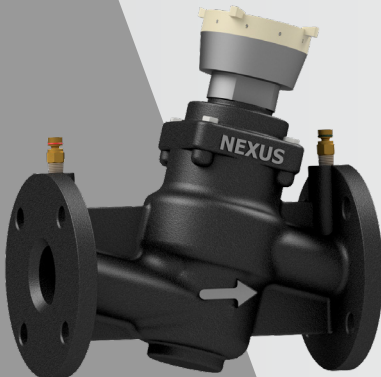
- 2 ½" through 12"
- 4 accessory ports
- Accuracy $\pm 1\%$



Nexus Venturi

A combination calibrated manual balancing valve, venturi flow meter, and butterfly valve. Connections available in flanged, grooved or threaded. Valve comes standard with two pressure and temperature test plugs and memory stop.

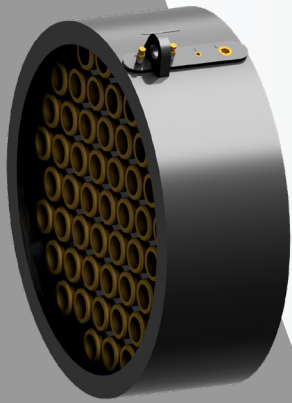
- 2 ½" through 12"
- No pipe diameters required
- Accuracy $\pm 3\%$
- Extended sizes upon request



UltraMB™

A multi-turn, globe style, manual flow control. Connections available in flanged, grooved or threaded. Optional butterfly for additional isolation. Valve comes standard with two pressure and temperature test plugs and memory stop.

- 2 ½" through 12"
- Flanged, grooved, threaded
- Accuracy $\pm 5\%$



UltraMatic™ UMW

A wafer style, automatic flow control Valve (AFCV). Also available with flanged, grooved, or threaded connections. Comes standard with two pressure and temperature test plugs and additional ports for optional accessories.

- 2 ½” through 48”
- Non-Clogging cartridge design
- Accuracy $\pm 5\%$



Vivax - Pressure Independent Control Valve

A Pressure Independent Control Valve (PICV) the 3-in-1 design makes it easy to size and select, eliminate overflow, and provide 100% control valve authority. Valve comes standard with two pressure and temperature test plugs with flanged, grooved, or threaded connections.

- ½” through 10”
- Feedback signal to BMS
- Smart-IS Actuator

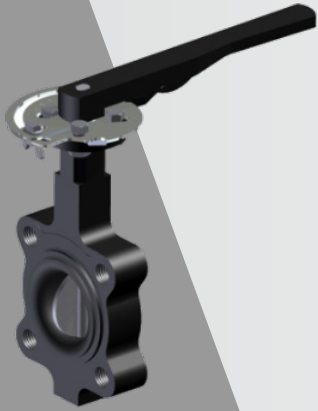


Strainex™

A Y-Strainer and optional butterfly valve with multiple accessory ports which are pre-drilled and tapped for easy installation of required system components such as PT test plugs, air vents, drains, thermometers, and various gauges.

- 2 ½” through 12”
- 3 accessory ports
- Removable filter screen
- Flanged, grooved, and threaded connections

groundbreaking innovation



Butterfly Valve

A Lug type butterfly valve with infinite position memory stop, and lever handle (2 ½" through 6") or gear box with a worm-drive, memory stop, and hand wheel (6" through 12")

- 225 PSIG, 250F
- Infinite position memory stop
- Stainless steel disc
- Available in lug, grooved, or threaded connections



Coil Paks

For years, contractors and manufacturers have used individual components to make piping packages. With Nexus Valve Coil Paks, pre-configured assemblies are available to reduce expensive field labor as well as potential leak points.

- 2½" - 12" manual
- 2½" - 6" automatic
- 2½" - 10" pressure independent

winning together for tomorrow