



# Flamco

# Flexvent Pro & Super

## Automatic Air Vent

The proven design of the Flexvent Pro & Super is reliable and highly efficient at removing air from hydronic heating and cooling systems.

The water in a hydronic system contains air which can cause corrosion and reduce the thermal transfer. A Flexvent is installed at places where air collects. Float operated, the air is collected in the Flexvent causing the float to drop and open the air release valve. When the air is eliminated the float will rise and close the valve.

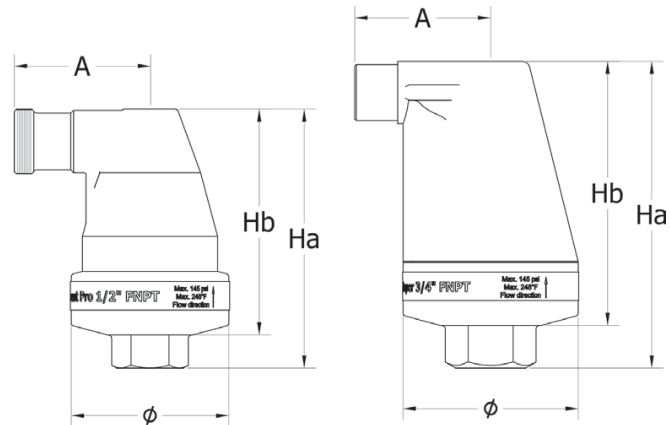
The cap of the Flexvent Pro & Super is conical in shape maximizing the clearance between the water level and venting valve. The venting valve forms an integral part of the cap, so that it is impossible to damage the float vent mechanism from the outside. The large air cushion at the top of each Flexvent Pro & Super protects the valve seat against contamination, ensuring that the Flexvent will not leak. The air escape tube can be opened or closed with an adjustment screw.

The Flexvent Pro comes with a 3/4" hose thread connection for discharging air and water during system startup.



### Features:

- Large air cushion prevents leaks and contamination
- Max. temperature 248°F
- Max. operating pressure 145 PSI
- CW617N-DZR Brass
- Water/Glycol mixture 50%
- Compact design for confined space installation



Type	Size	Connection	Dimensions (inches)				Part No.
			Ø	A	Ha	Hb	
Flexvent Pro	1/2"	NPT	2.5	2.2	4.3	3.9	FFVP-050
Flexvent Super	3/4"	NPT	2.9	2.2	4.7	4.0	FFVS-075